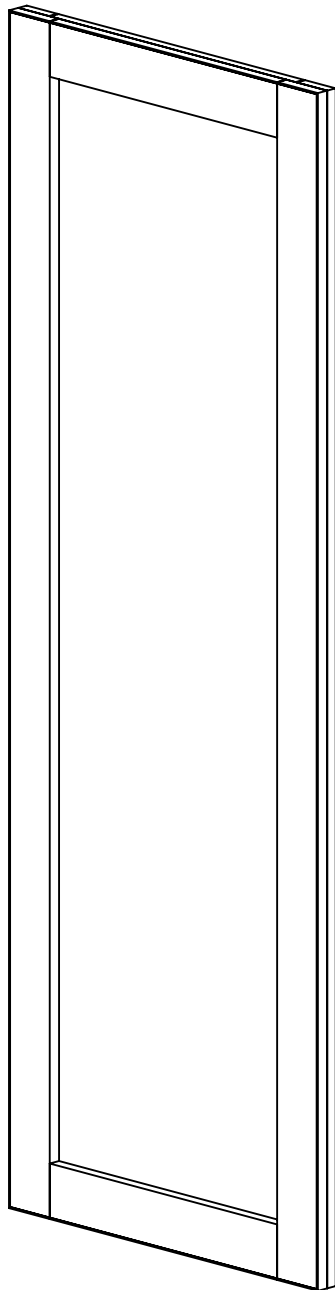


1

2



**OVERALL:**  
 22 3/4"D x 1 5/16"W x 64 3/4"H

**MATERIALS:**  
 - HP-Laminate MDF-5/8"  
 - .024 Edge Tape  
 - Plywood 1/2" Wall Cleat  
 - Mirror Glass 3/32" Thick

**COMMENTS:**  
 - Overall: 22 3/4"W x 1 5/16"D x 64 3/4"H  
 - Color: Wilsonart - 0000 - Custom Laminate  
 - Note: Dimensional Tolerance +/- 1/16"

**TITLE:** AHB 2200XX MR2365 - 2200Ultra - Full Length Mirror  
**REVISION DATE:** 4/5/2022

NOTE: DESIGN AND DRAWINGS ARE PROPERTY OF DICKSON FURNITURE MANUFACTURERS LLC AND MAY NOT BE DUPLICATED OR REPRODUCED WITHOUT THE EXPRESS WRITTEN CONSENT OF DICKSON FURNITURE MANUFACTURERS LLC

QUANTITY <b>00</b>	<b>DICKSON</b> FURNITURE MANUFACTURERS
REV <b>A</b>	SHEET 1 OF 4
DIMENSIONS ARE IN INCHES	

1

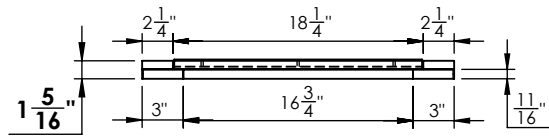
2

A

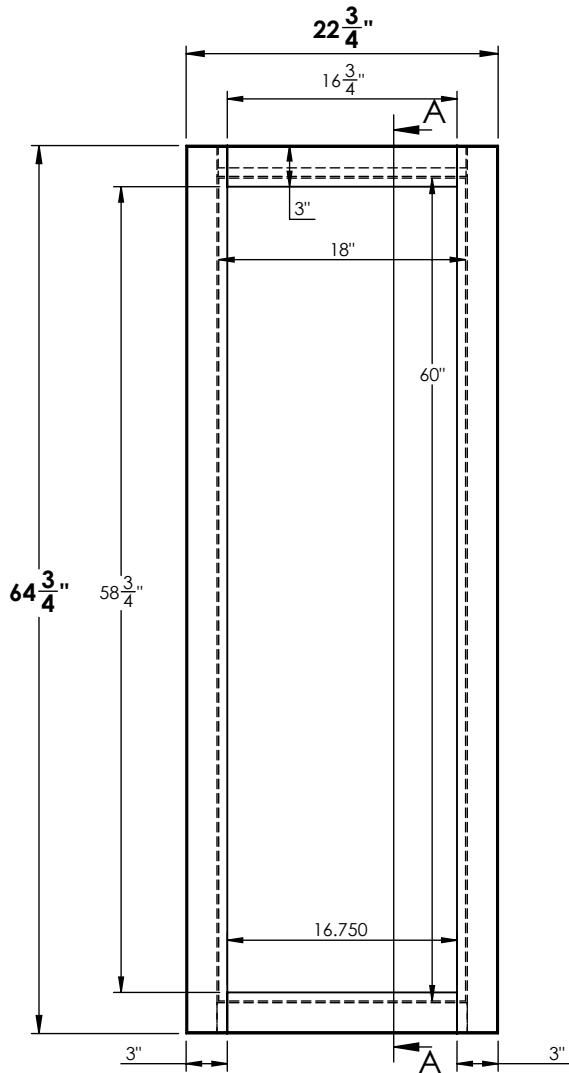
A

B

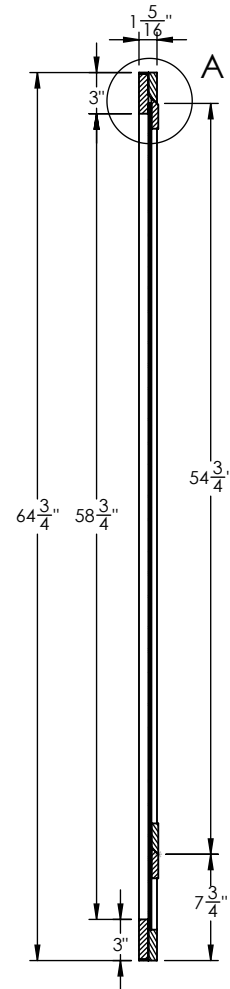
B



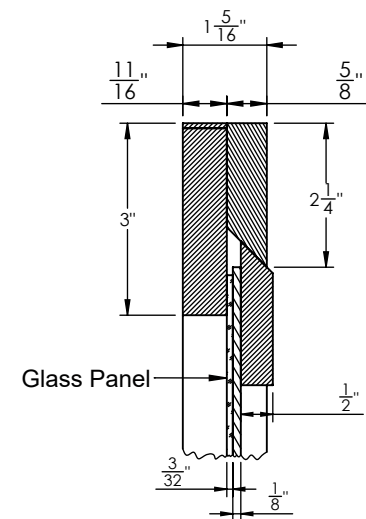
TOP VIEW



FRONT ELEVATION



SECTION A-A



DETAIL A  
SCALE 1 : 3

**MATERIALS:**  
 - HP-Laminate MDF-5/8"  
 - .024 Edge Tape  
 - Plywood 1/2" Wall Cleat  
 - Mirror Glass 3/32" Thick

**COMMENTS:**  
 - Overall: 22 3/4"W x 1 5/16"D x 64 3/4"H  
 - Color: Wilsonart - 0000 - Custom Laminate  
 - Note: Dimensional Tolerance +/- 1/16"

**TITLE:** AHB 2200XX MR2365 - 2200Ultra - Full Length Mirror  
**REVISION DATE:** 4/5/2022

NOTE: DESIGN AND DRAWINGS ARE PROPERTY OF DICKSON FURNITURE MANUFACTURERS LLC AND MAY NOT BE DUPLICATED OR REPRODUCED WITHOUT THE EXPRESS WRITTEN CONSENT OF DICKSON FURNITURE MANUFACTURERS LLC

<b>DICKSON</b> FURNITURE MANUFACTURERS	
QUANTITY <b>00</b>	SCALE: 1:14
REV <b>A</b>	SHEET 2 OF 4
DIMENSIONS ARE IN INCHES	



# IMPORTANT INFORMATION

-AHB 2200XX MR2365 - 2200Ultra - Full Length Mirror-



*Lift parts with at least 2 people*

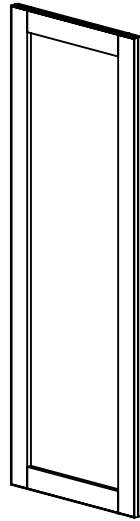
## **\*RECOMMENDATIONS:**

- Read instructions before assembling
- Keep area clean
- Do not drag the parts
- Do not forget to wear PPE

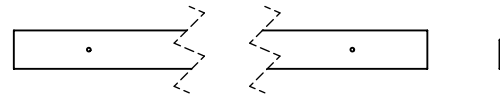
## **\*PERSONAL PROTECTION EQUIPMENT (PPE)**

- Hand Protection
- Eye Protection
- Waist Support Belt

## **PARTS:**



*Mirror*



*Cleat*

## **\*Tools:**



*Water level*



*Measuring Tape*



*Pencil*



*Drill*

## **\*Hardware:**



*Screw*

# DICKSON

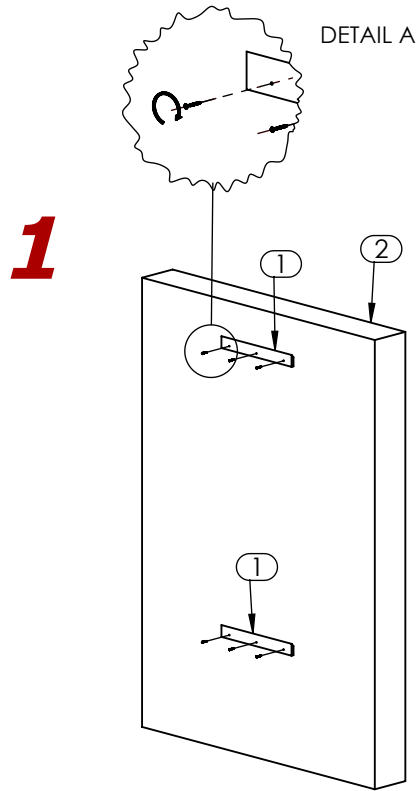
FURNITURE MANUFACTURERS

# STEP #1

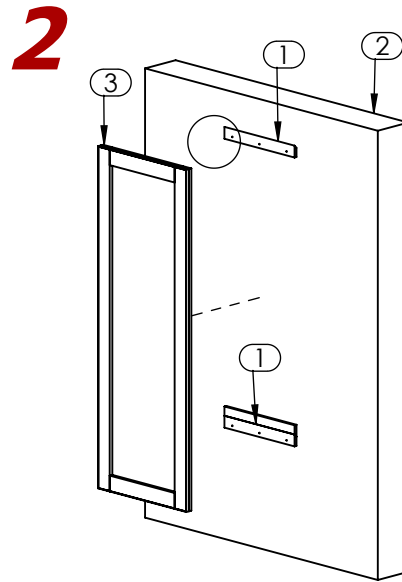
# INSTALLATION INSTRUCTIONS

-AHB 2200XX MR2365 - 2200Ultra - Full Length Mirror-

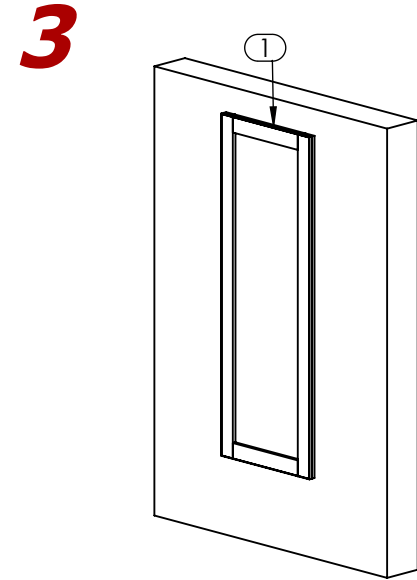
Note: Assembly can be done with 2 people.



Level Cleats (1) on Wall (2) to attach them. Screws go into studs (Detail A).



Lift Mirror (3) higher than Cleat (1) and slowly slide it down until it holds on Wall (2).



Mirror (3) completely assembled.

# DICKSON

FURNITURE MANUFACTURERS