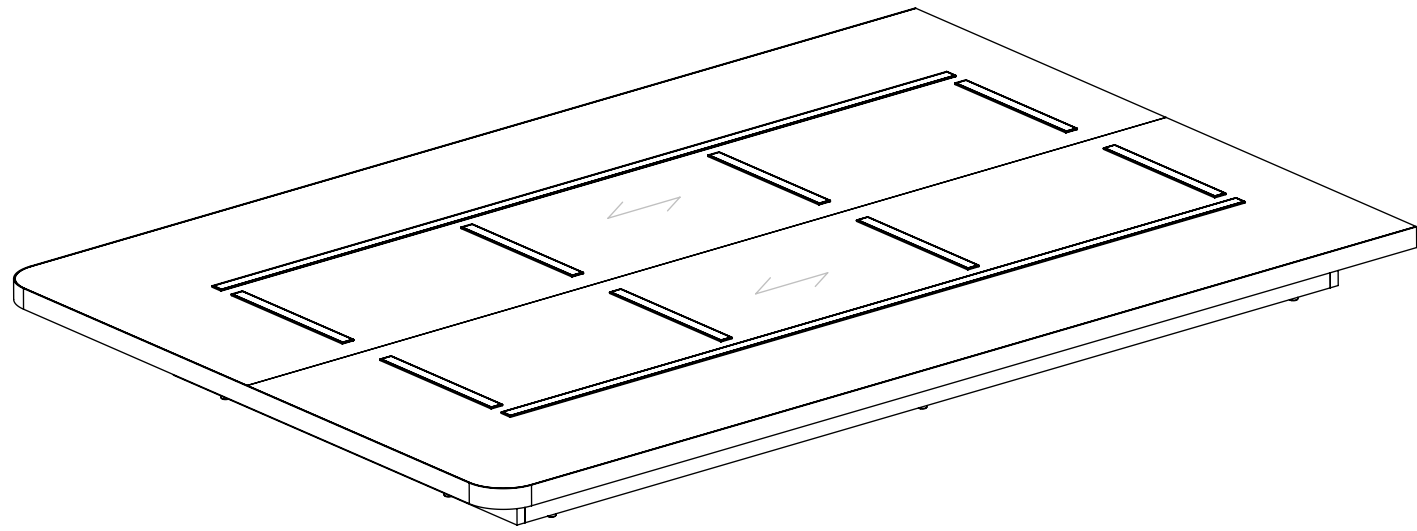


1

2

A

A



B

B

Overall:
54"W x 80"D x 7"H

MATERIALS:
 - HP-Laminate PB-3/4"
 - 2mm Edge Tape On Top
 - White Oak Molding Support
 - Bottom Plastic Nail Glide
 - Anti-Slip Tape

COMMENTS:
 - Overall: 54"W x 80"D x 7"H
 - Color: Wilsonart - 8213K-18 - Phantom Cocoa
 - Note: Dimensional Tolerance +/- 1/16"

TITLE: AHB 8240XX 4ABB - 8240CRS - ADA Full Bed Base
REVISION DATE: 4/1/2022

NOTE: DESIGN AND DRAWINGS ARE PROPERTY OF DICKSON FURNITURE MANUFACTURERS LLC AND MAY NOT BE DUPLICATED OR REPRODUCED WITHOUT THE EXPRESS WRITTEN CONSENT OF DICKSON FURNITURE MANUFACTURERS LLC

QUANTITY
00

REV
A

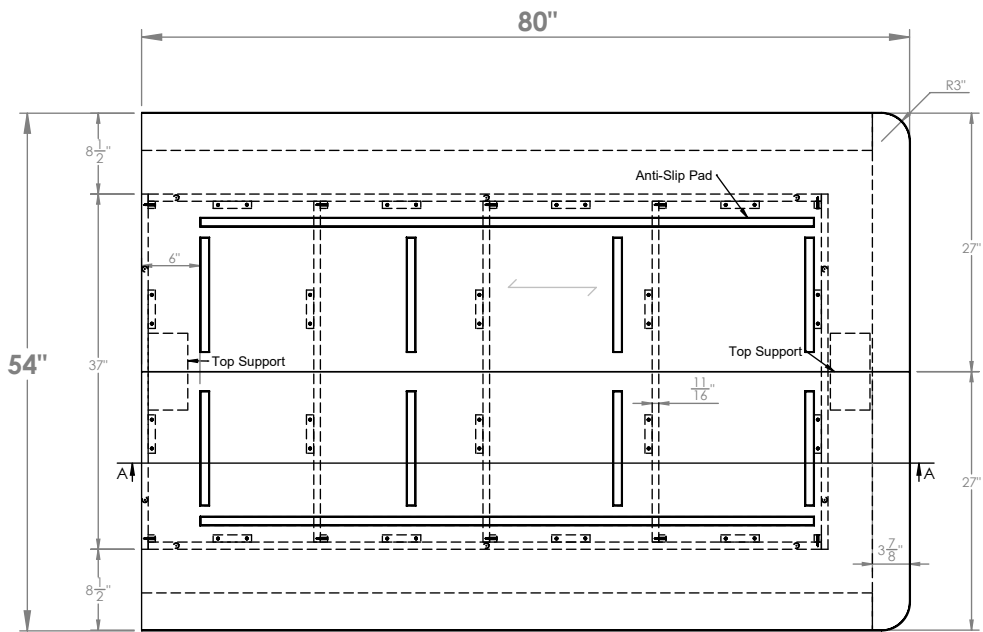
DIMENSIONS
ARE IN
INCHES

DICKSON
FURNITURE MANUFACTURERS

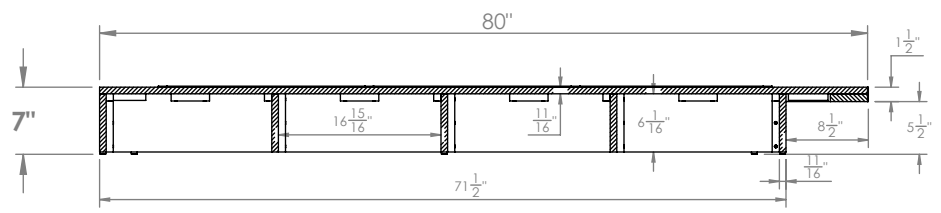
SCALE: 1:13
SHEET 1 OF 5

1

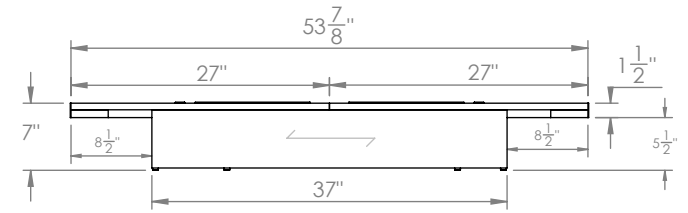
2



TOP VIEW



SECTION A-A



FRONT VIEW

MATERIALS:

- HP-Laminate PB-3/4"
- 2mm Edge Tape On Top
- White Oak Molding Support
- Bottom Plastic Nail Glide
- Anti-Slip Tape

COMMENTS:

- Overall: 54"W x 80"D x 7"H
- Color: Wilsonart - 8213K-18 - Phantom Cocoa
- Note: Dimensional Tolerance +/- 1/16"

TITLE: AHB 8240XX 4ABB - 8240CRS - ADA Full Bed Base
 REVISION DATE: 4/1/2022
 NOTE: DESIGN AND DRAWINGS ARE PROPERTY OF DICKSON FURNITURE MANUFACTURERS LLC AND MAY NOT BE DUPLICATED OR REPRODUCED WITHOUT THE EXPRESS WRITTEN CONSENT OF DICKSON FURNITURE MANUFACTURERS LLC

DICKSON FURNITURE MANUFACTURERS	QUANTITY 00
	SCALE: 1:18 SHEET 2 OF 5



IMPORTANT INFORMATION

- AHB 8240XX 4ABB - 8240CRS - ADA Full Bed Base -



Lift parts with at least 2 people

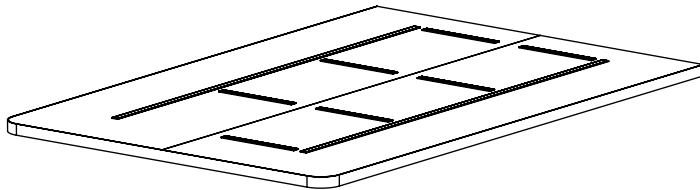
+RECOMMENDATIONS:

- Read instructions before installing
- Keep area clean
- Do not drag the parts
- Do not forget to wear PPE

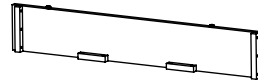
+PERSONAL PROTECTION EQUIPMENT (PPE)

- Hand Protection
- Eye Protection
- Waist Support Belt

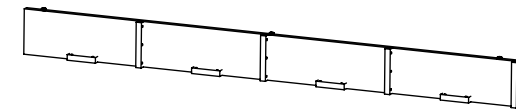
Parts:



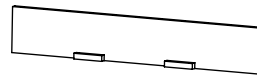
Top Panels



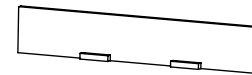
Front Panel



Side Panels (2)



Center Panels (3)



Back Panel

+Tools:



Measuring Tape



Pencil



Electric screwdriver

+Hardware:



Screw

DICKSON

FURNITURE MANUFACTURERS

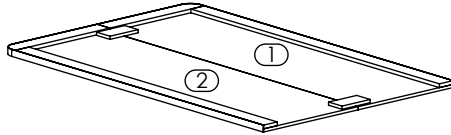
STEP #1

ASSEMBLY INSTRUCTIONS

- AHB 8240XX 4ABB - 8240CRS - ADA Full Bed Base -

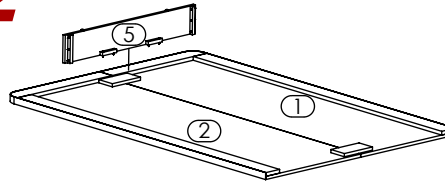
Note: For best results, bed should be built starting with the top side face down.

1



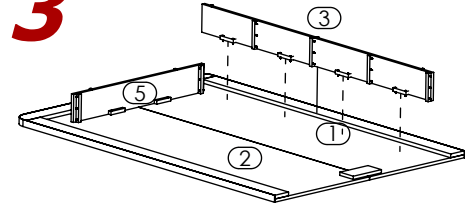
Top Panels (1) (2) upside down on Floor.

2



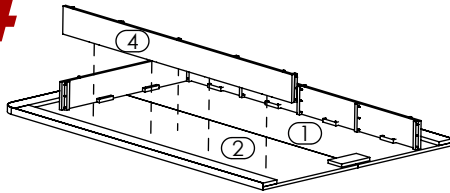
Place Front Panel (5) on Top Panels (1) (2).

3



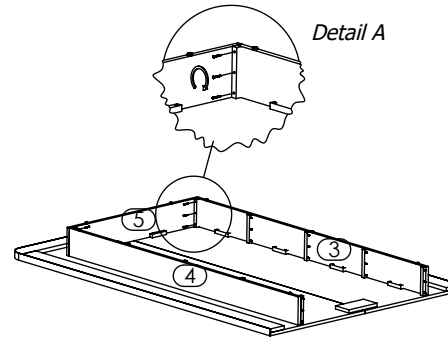
Place Side Panel Right (3) on Top Panels (1) (2).

4



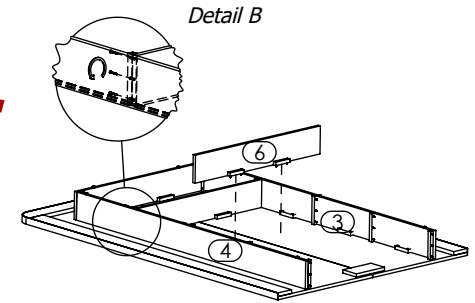
Place Side Panel Left (4) on Top Panel (1) (2).

5



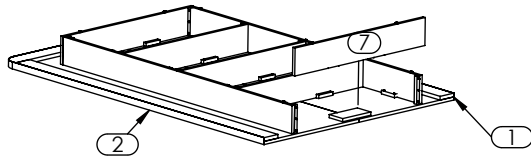
Align and attach Front Panel (5) to Side Panel Right (3) then Panel Left (4). (Reference Detail A).

6



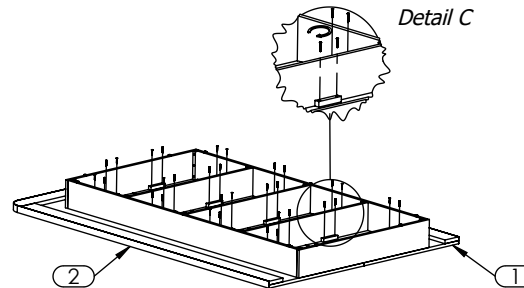
Insert Center Panels (6), align & attach to Side Panels (3)(4). (Reference Detail B).

7



Align Flush the Back Face of Back Panel (7) and Top Panels (1) (2).

8



Align assembled Bed Base to taped guides on Top Panel (1) and attach them. (Reference Detail C).

DICKSON

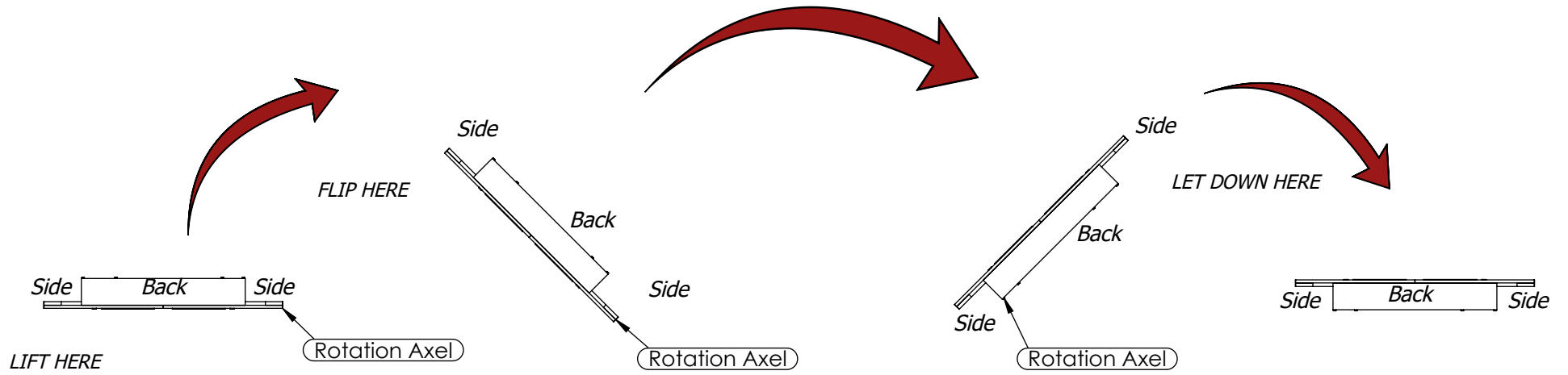
FURNITURE MANUFACTURERS

STEP #2

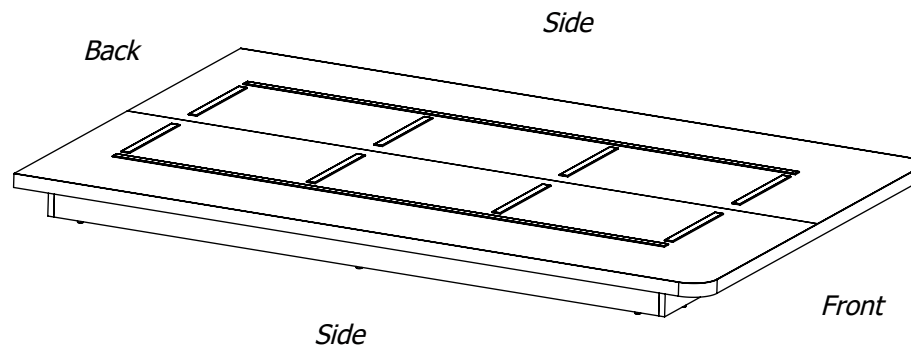
Note: To flip this bed, please use at least 2 people.

ASSEMBLY INSTRUCTIONS

- AHB 8240XX 4ABB - 8240CRS - ADA Full Bed Base -



Flip Upright



DICKSON

FURNITURE MANUFACTURERS