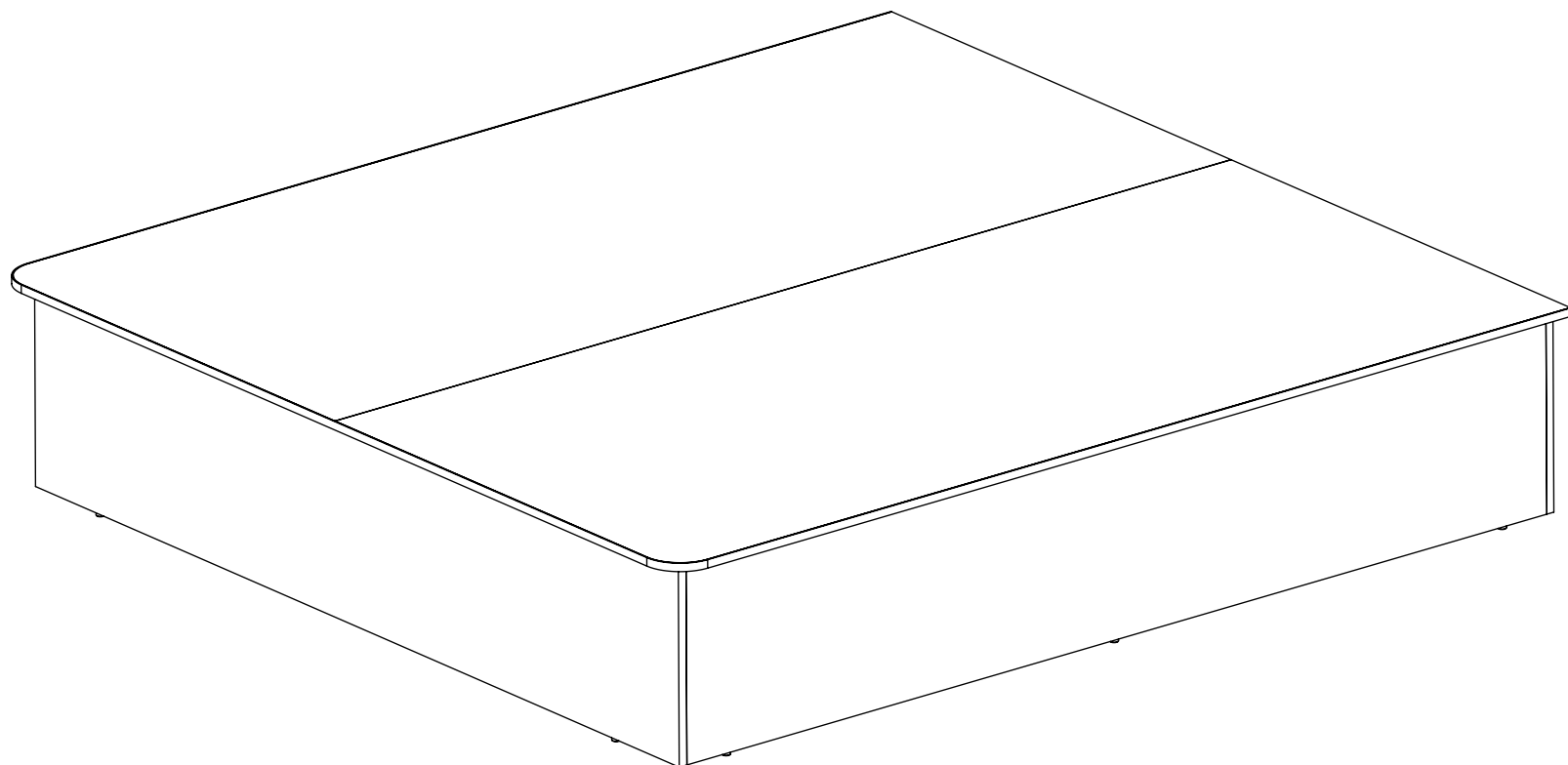


1

2



A

A

B

B

Overall:
75"W x 80"D x 16"H

MATERIALS:

- HP-Laminate PLY-5/8" Side Panels
- Plywood 5/8" Top Panel
- T-Mold Edge On Top
- Nail Glide On Bottom
- Wood Framing Support

COMMENTS:

- Overall: 75"W x 80"D x 16"H
- Color: Wilsonart - 0000 - Custom Laminate
- Note: Dimensional Tolerance +/- 1/16"

TITLE: AHF 0100XX 6BB - 100Sable - King Bed Base 2" Lip
REVISION DATE: 4/1/2022

NOTE: DESIGN AND DRAWINGS ARE PROPERTY OF DICKSON FURNITURE MANUFACTURERS LLC AND MAY NOT BE DUPLICATED OR REPRODUCED WITHOUT THE EXPRESS WRITTEN CONSENT OF DICKSON FURNITURE MANUFACTURERS LLC

QUANTITY
00

REV
A

DIMENSIONS
ARE IN
INCHES

DICKSON
FURNITURE MANUFACTURERS

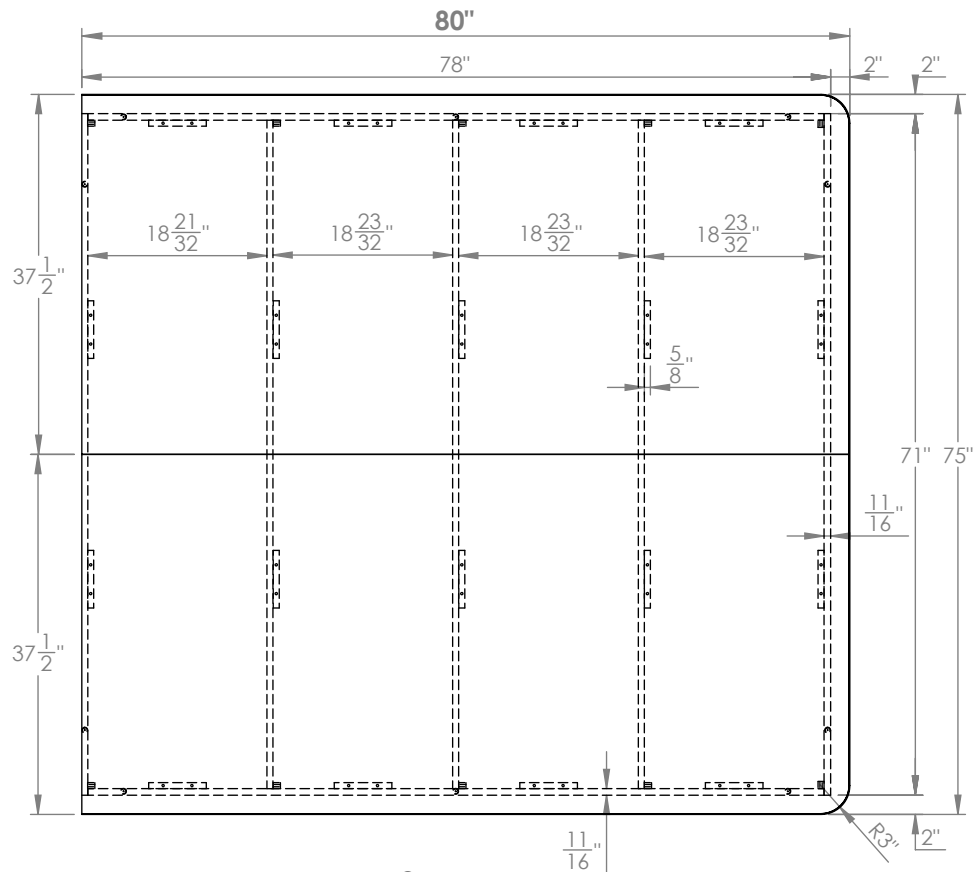
SCALE: 1:13
SHEET 1 OF 5

1

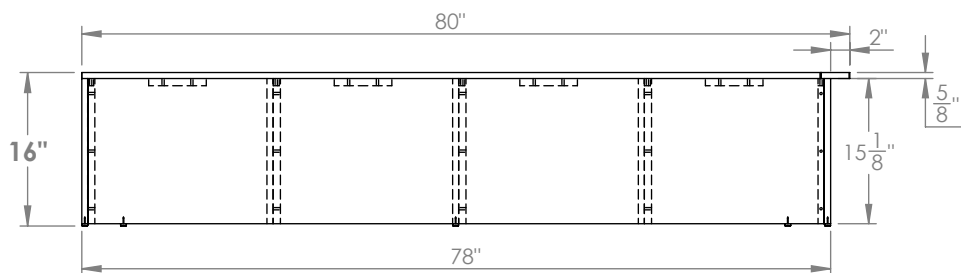
2

1

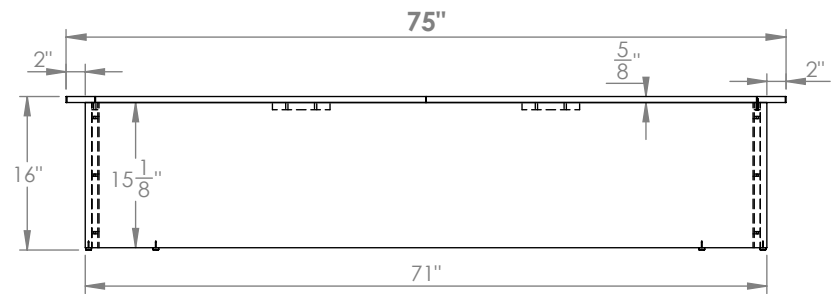
2



TOP VIEW



FRONT ELEVATION



SIDE VIEW

- MATERIALS:
- HP-Laminate PLY-5/8" Side Panels
 - Plywood 5/8" Top Panel
 - T-Mold Edge On Top
 - Nail Glide On Bottom
 - Wood Framing Support

- COMMENTS:
- Overall: 75"W x 80"D x 16"H
 - Color: Wilsonart - 0000 - Custom Laminate
 - Note: Dimensional Tolerance +/- 1/16"

TITLE: AHF 0100XX 6BB - 100Sable - King Bed Base 2" Lip
 REVISION DATE: 4/1/2022

NOTE: DESIGN AND DRAWINGS ARE PROPERTY OF DICKSON FURNITURE MANUFACTURERS LLC AND MAY NOT BE DUPLICATED OR REPRODUCED WITHOUT THE EXPRESS WRITTEN CONSENT OF DICKSON FURNITURE MANUFACTURERS LLC

QUANTITY 00	DICKSON FURNITURE MANUFACTURERS
REV A	SHEET 2 OF 5
DIMENSIONS ARE IN INCHES	

1

2

A

A

B

B



IMPORTANT INFORMATION

- AHF 0100XX 6BB - 100Sable - King Bed Base 2" Lip -



Lift parts with at least 2 people

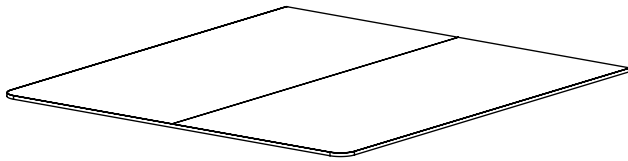
+RECOMMENDATIONS:

- Read instructions before installing
- Keep area clean
- Do not drag the parts
- Do not forget to wear PPE

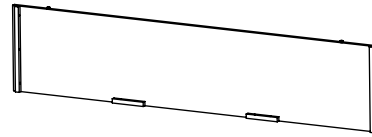
+PERSONAL PROTECTION EQUIPMENT (PPE)

- Hand Protection
- Eye Protection
- Waist Support Belt

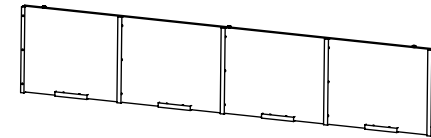
Parts:



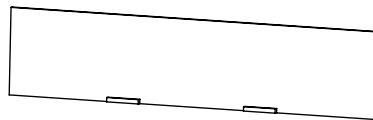
Top Panels



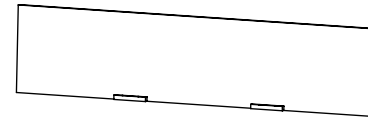
Front Panel



Side Panels (2)



Center Panels (3)



Back Panel

+Tools:



Measuring Tape



Pencil



Electric screwdriver

+Hardware:



Screw

DICKSON

FURNITURE MANUFACTURERS

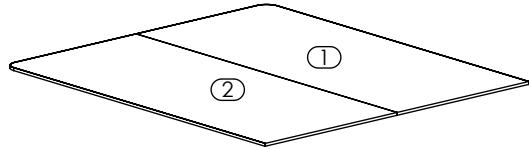
STEP #1

ASSEMBLY INSTRUCTIONS

- AHF 0100XX 6BB - 100Sable - King Bed Base 2" Lip -

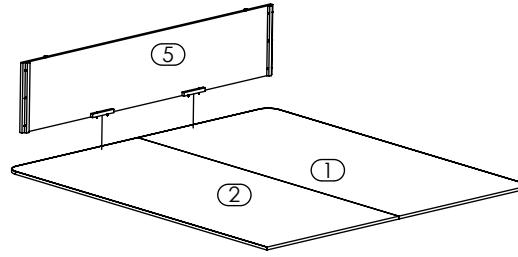
Note: For best results, bed should be built starting with the top side face down.

1



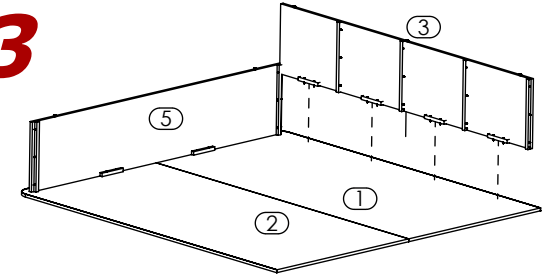
Top Panels (1) (2) upside down on Floor.

2



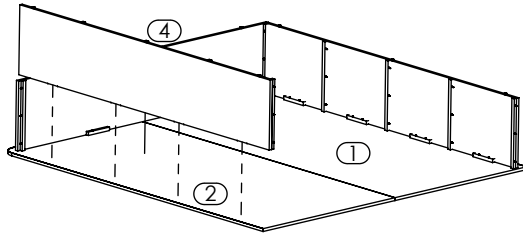
Place Front Panel (5) on Top Panels (1) (2).

3



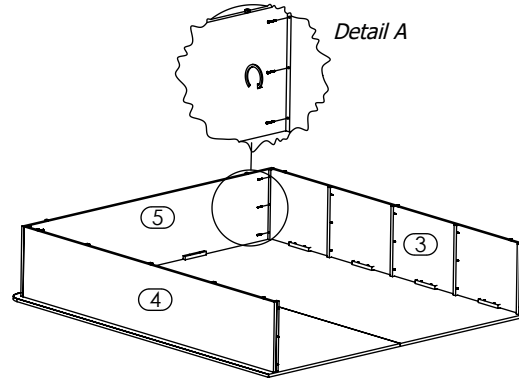
Place Side Panel Right (3) on Top Panels (1) (2).

4



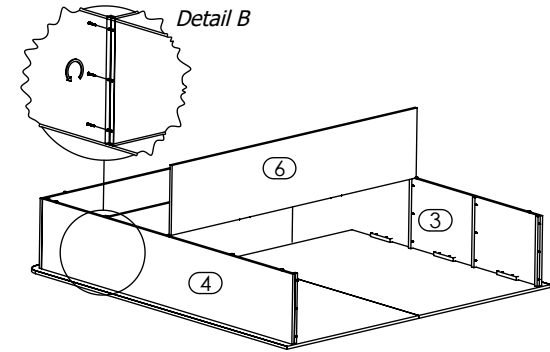
Place Side Panel Left (4) on Top Panel (1) (2).

5



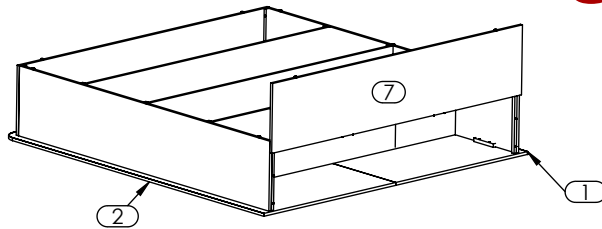
Align and attach Front Panel (5) to Side Panel Right (3) then Panel Left (4). (Reference Detail A).

6



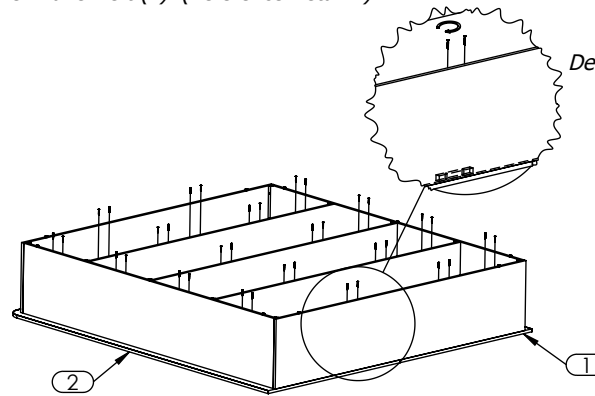
Insert Center Panels (6), align & attach to Side Panels (3)(4). (Reference Detail B).

7



Align Flush the Back Face of Back Panel (7) and Top Panels (1) (2).

8



Align assembled Bed Base to taped guides on Top Panel (1) and attach them. (Reference Detail C).

DICKSON

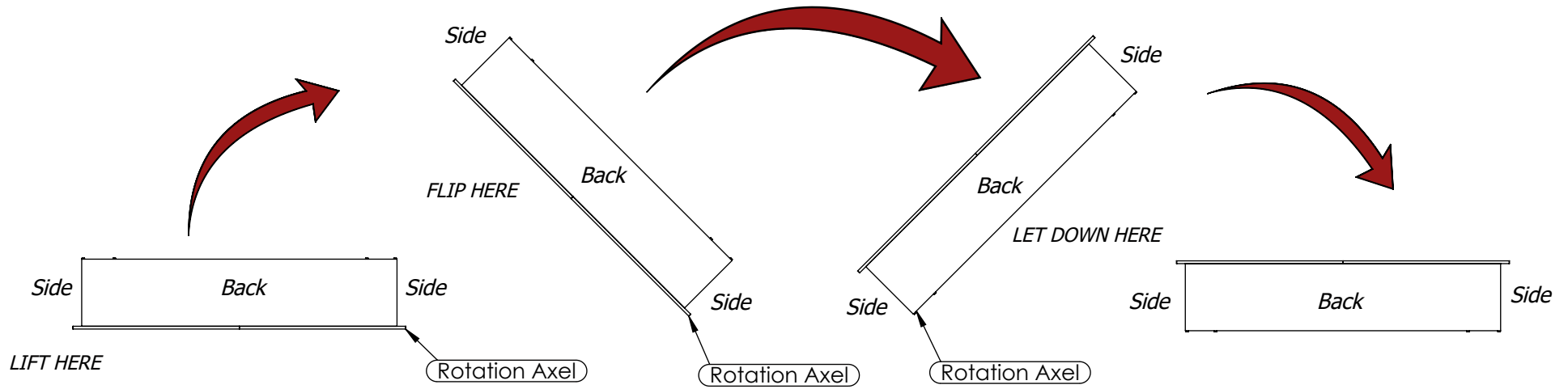
FURNITURE MANUFACTURERS

STEP #2

Note: To flip this bed, please use at least 2 people.

ASSEMBLY INSTRUCTIONS

- AHF 0100XX 6BB - 100Sable - King Bed Base 2" Lip -



Flip Upright

