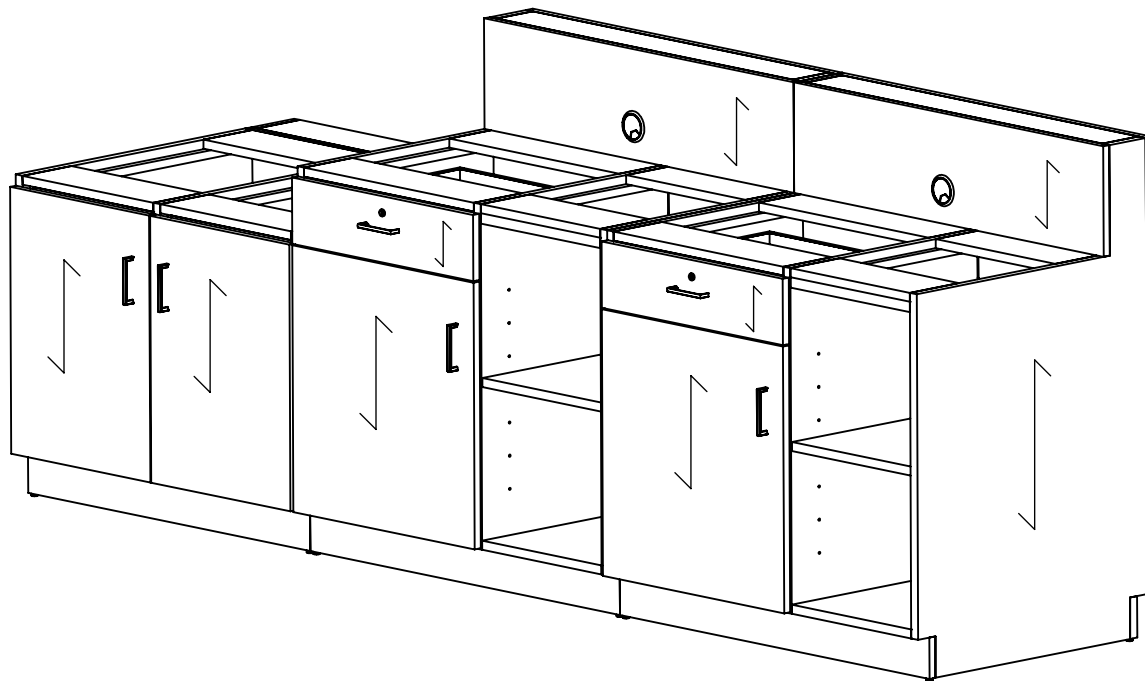


1

2

A

A



B

B

Overall:
115"W x 34 1/4"D x 45 1/4"H

MATERIALS:

- HP-Laminate PB-3/4
- 2mm Edge Tape On Shelf
- Plywood 1/2" Drawer Box
- 16" HD-Full Extension Drawer Guide
- Metro 96mm CC Matte Black Pull 4111-1055-P

COMMENTS:

- Overall: 115"W x 34 1/4"D x 45 1/4"H
- Color: Wilsonart - 000 - Custom Laminate
- Color - Powder Coated Paint
- Note: Dimensional Tolerance +/- 1/16"

TITLE: AHL 8170XXYY LD115R - 8170M6 - 115 ADA Lobby Desk Right
REVISION DATE:

NOTE: DESIGN AND DRAWINGS ARE PROPERTY OF DICKSON FURNITURE MANUFACTURERS LLC AND MAY NOT BE DUPLICATED OR REPRODUCED WITHOUT THE EXPRESS WRITTEN CONSENT OF DICKSON FURNITURE MANUFACTURERS LLC

QUANTITY	00	DICKSON FURNITURE MANUFACTURERS
REV	A	
DIMENSIONS ARE IN INCHES		SCALE: 1:10 SHEET 1 OF 4

1

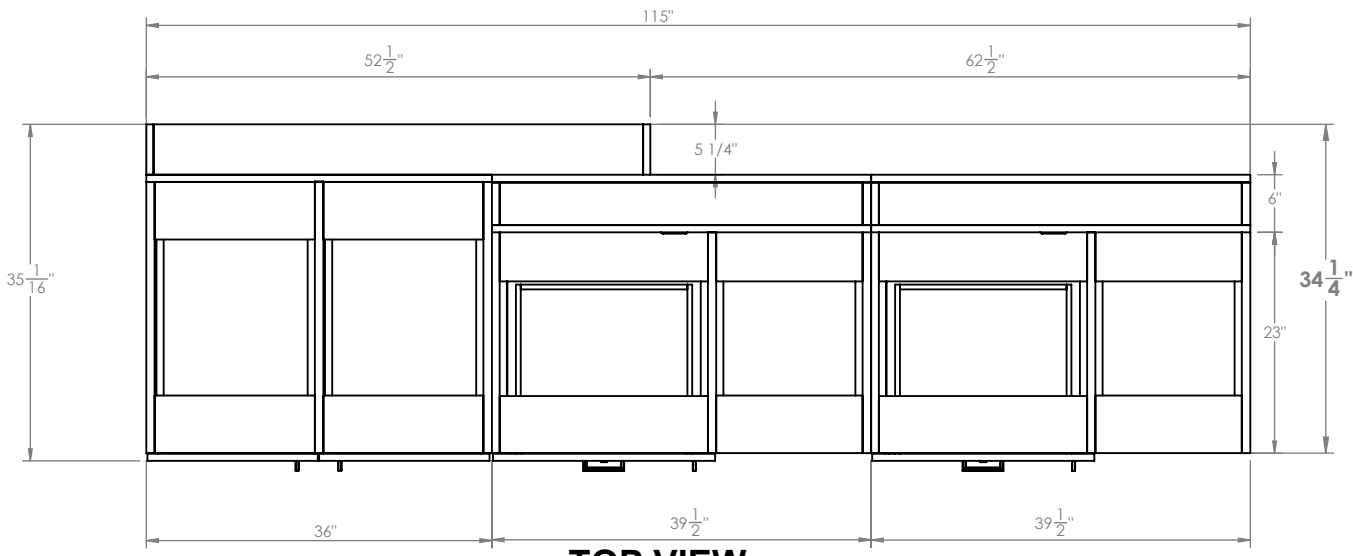
2

1

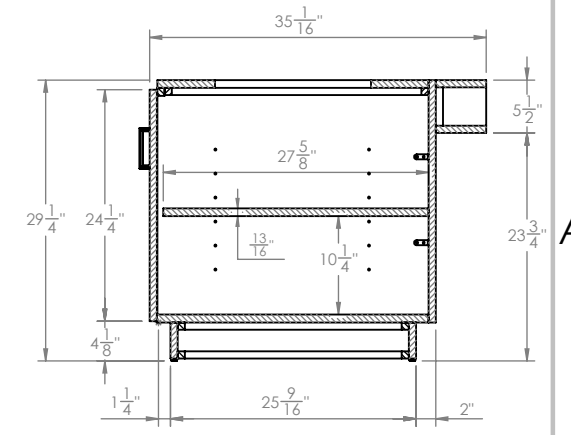
2

A

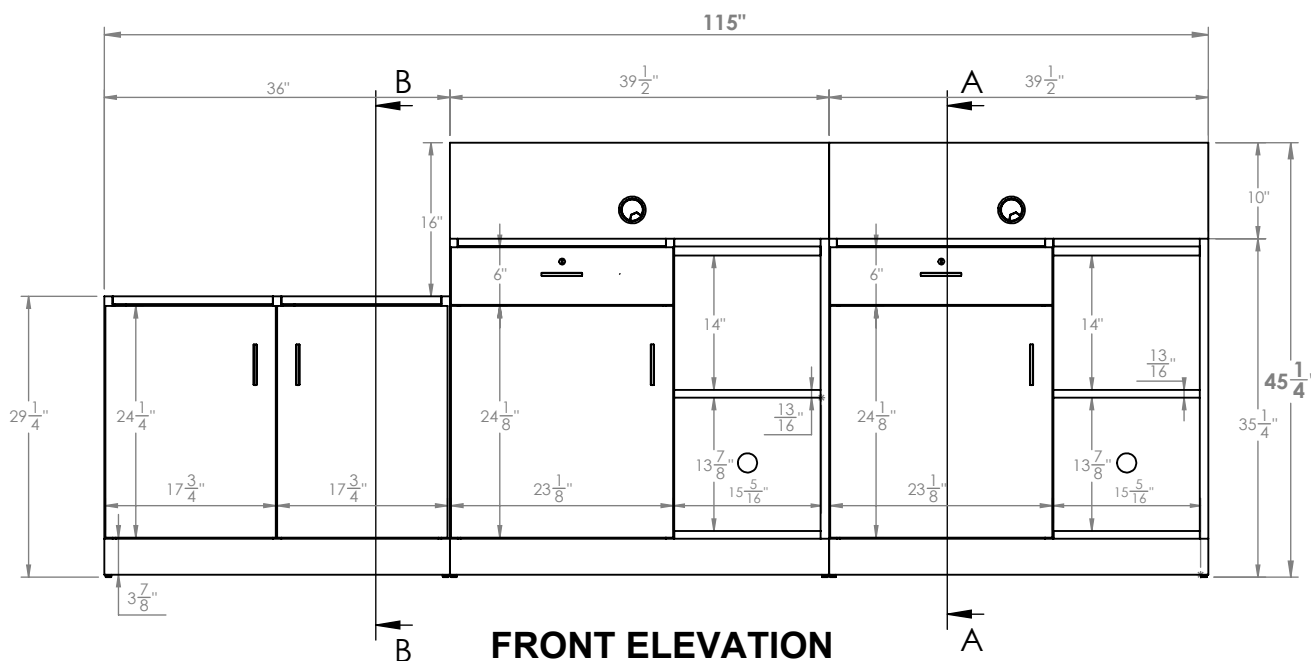
B



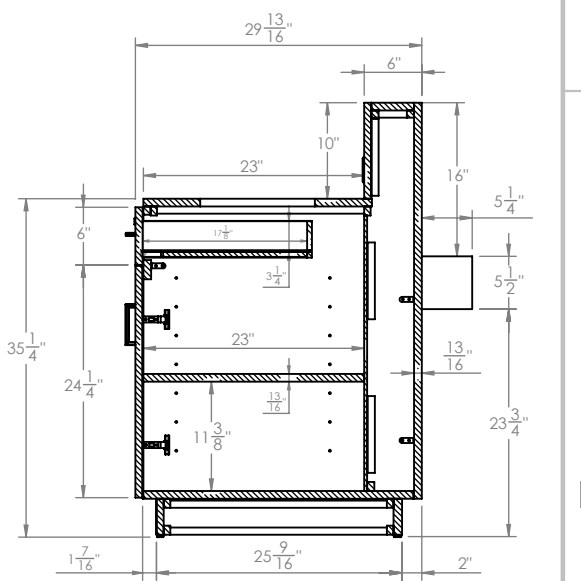
TOP VIEW



SECTION B-B



FRONT ELEVATION



SIDE VIEW

SECTION A-A

- MATERIALS:**
- HP-Laminate PB-3/4
 - 2mm Edge Tape On Shelf
 - Plywood 1/2" Drawer Box
 - 16" HD-Full Extension Drawer Guide
 - Metro 96mm CC Matte Black Pull 4111-1055-P

- COMMENTS:**
- Overall: 115"W x 34 1/4"D x 45 1/4"H
 - Color: Wilsonart - 000 - Custom Laminate
 - Color - Powder Coated Paint
 - Note: Dimensional Tolerance +/- 1/16"

TITLE: AHL 8170XXYY LD115R - 8170M6 - 115 ADA Lobby Desk Right
REVISION DATE:

NOTE: DESIGN AND DRAWINGS ARE PROPERTY OF DICKSON FURNITURE MANUFACTURERS LLC AND MAY NOT BE DUPLICATED OR REPRODUCED WITHOUT THE EXPRESS WRITTEN CONSENT OF DICKSON FURNITURE MANUFACTURERS LLC

DICKSON
 FURNITURE MANUFACTURERS

QUANTITY: 00
 REV: A
 DIMENSIONS ARE IN INCHES

SCALE: 1:20
 SHEET 2 OF 4

1

2



IMPORTANT INFORMATION

- AHL 8170XXYY LD115R - 8170M6 - 115" ADA Lobby Desk Right -



Lift parts with at least 2 people

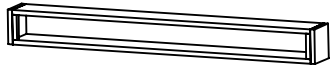
*RECOMMENDATIONS:

- Read instructions before assembling
- Keep area clean
- Do not drag the parts
- Do not forget to wear PPE

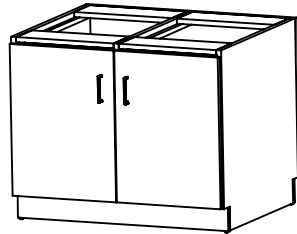
*PERSONAL PROTECTION EQUIPMENT (PPE)

- Hand Protection
- Eye Protection
- Waist Support belt

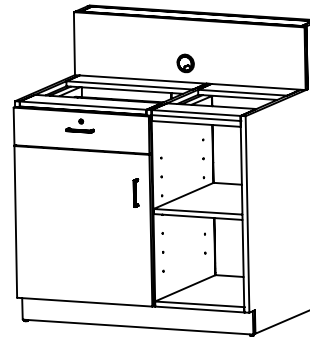
PARTS:



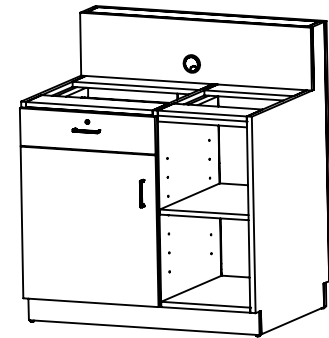
Extension ADA



Pedestal ADA



Left Pedestal



Right Pedestal

*Tools:



Water level



Measuring Tape



Pencil



Drill

*Hardware:



Screw



Shims

DICKSON

FURNITURE MANUFACTURERS

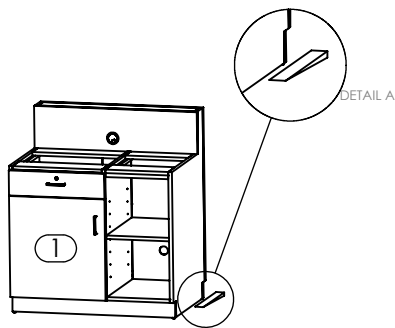
STEP #1

ASSEMBLY INSTRUCTIONS

- AHL 8170XXYY LD115R - 8170M6 - 115" ADA Lobby Desk Right -

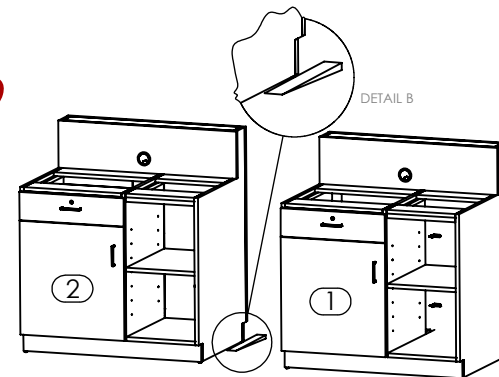
Note: Assembly can be done with 2 people.

1



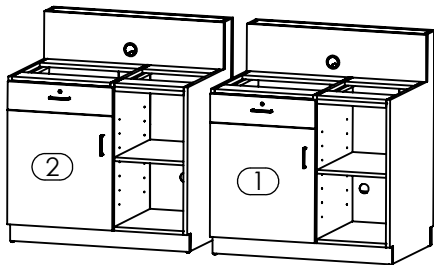
Level the Right Pedestal(1) with shims. Verify by using Water Level. (Reference Detail A).

2



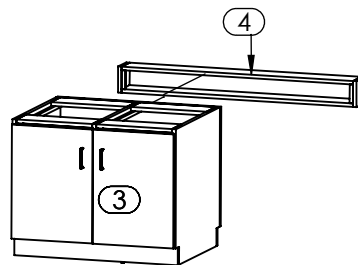
Level the Left Pedestal(2) with shims. Verify by using Water Level. (Reference Detail B).

3



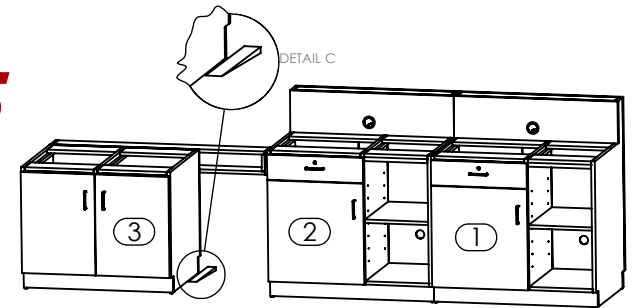
Align pedestals(1)(2) flush from the Back.

4



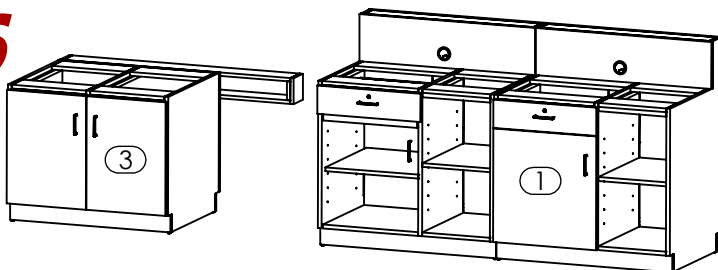
Align and attach the Extension (4) to the Top and Side Left End to the back of the Pedestal ADA (3).

5



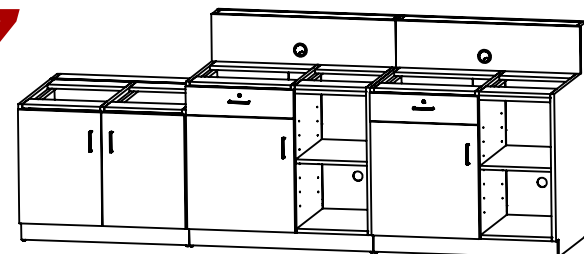
Level the Pedestal ADA(3) with the shims. Verify by using Water Level. (Reference Detail C).

6



Align the Pedestal ADA(3) with Pedestals(1)(2) flush from the Back.

7



ADA Lobby Desk Right completely assembled.