

1

2

A

A



B

B

Overall:
74"W x 25 1/2"D x 76"H

MATERIALS:

- HP Laminates PB-3/4
- .018 Edge Tape
- Bottom Nail Glide
- Plywood 1/2" Drawer Box
- 14" HD-Full Extension Drawer Guide
- Metro 96mm CC Matte Black Pull 4111-1055-P

COMMENTS:

- Overall: 74"W x 25 1/2"D x 76"H
- Color: Asian Night - 7949 - Outside
- Color: Matt Black - 1595-60 - Inside
- Note: Dimensional Tolerance +/- 1/16"

TITLE: AHK 8170XXYY KC74SR KIT - 8170M6 - 74" Kitchen Cabinet R-KIT
REVISION DATE:

NOTE: DESIGN AND DRAWINGS ARE PROPERTY OF DICKSON FURNITURE MANUFACTURERS LLC AND MAY NOT BE DUPLICATED OR REPRODUCED WITHOUT THE EXPRESS WRITTEN CONSENT OF DICKSON FURNITURE MANUFACTURERS LLC

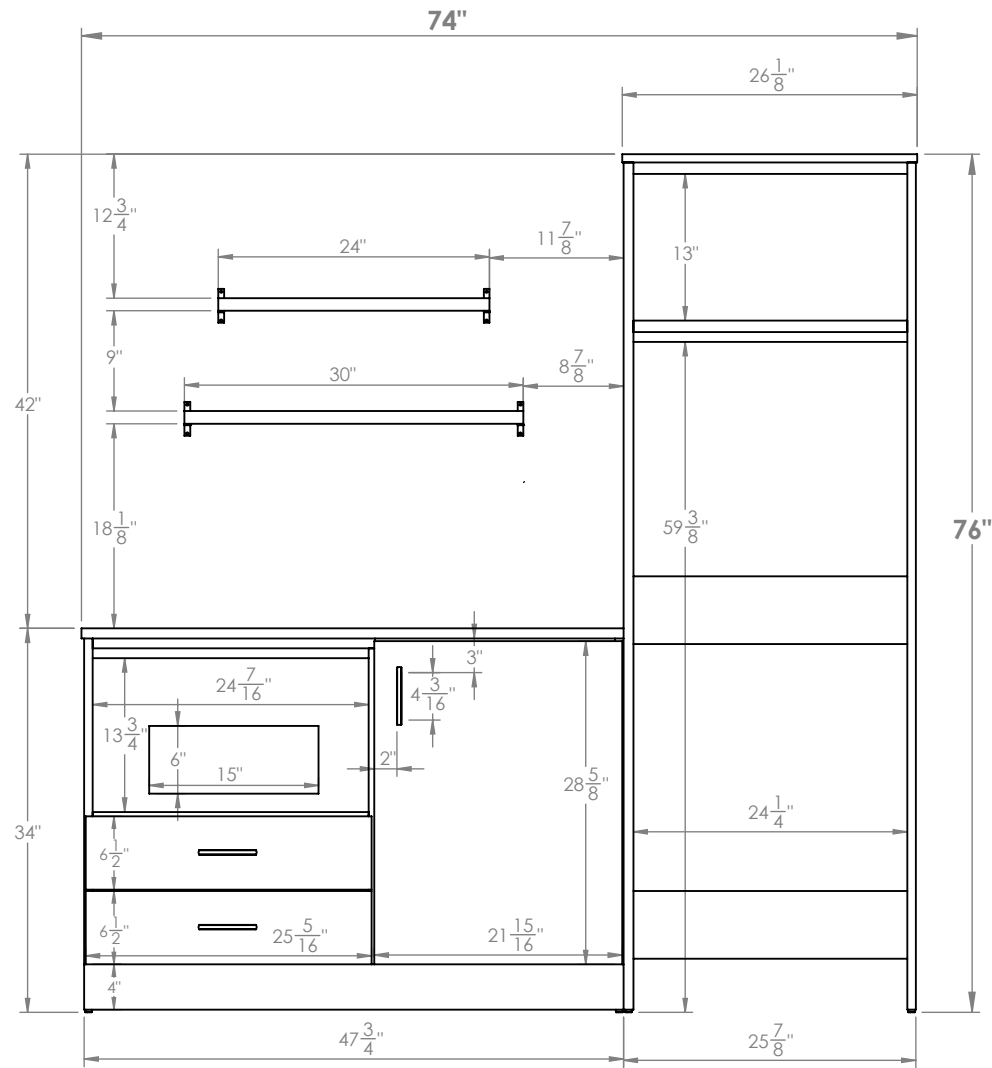
QUANTITY	00	DICKSON FURNITURE MANUFACTURERS
REV	A	
DIMENSIONS ARE IN INCHES		SCALE: 1:8
		SHEET 1 OF 4

1

2

A

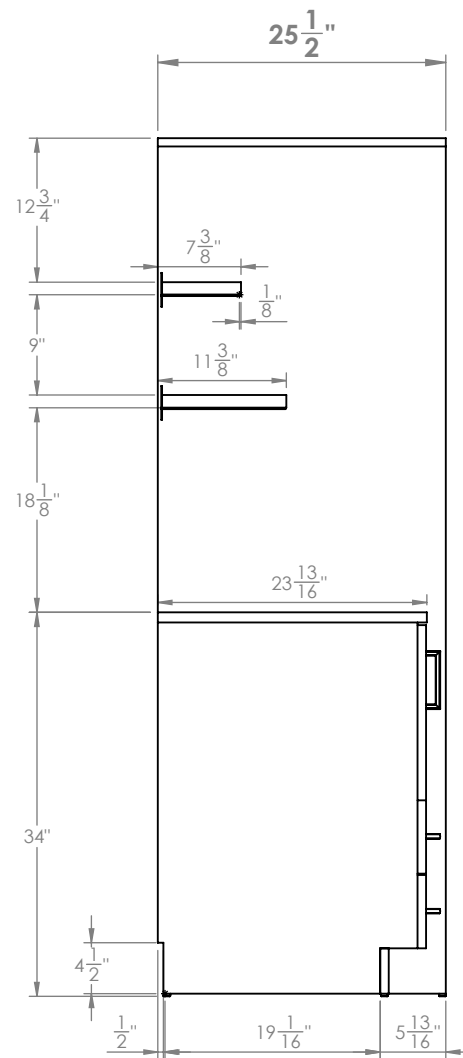
B



FRONT ELEVATION

A

B



SIDE VIEW

MATERIALS:

- HP-Laminate PB-3/4
- .018 Edge Tape
- Bottom Nail Glide
- Plywood 1/2" Drawer Box
- 14" HD-Full Extension Drawer Guide
- Metro 96mm CC Matte Black Pull 4111-1055-P

COMMENTS:

- Overall: 74"W x 25 1/2"D x 76"H
- Color: Asian Night - 7949 - Outside
- Color - Matt Black - 1595-60 - Inside
- Note: Dimensional Tolerance +/- 1/16"

TITLE: AHK 8170XXYY KC74SR KIT - 8170M6 - 74" Kitchen Cabinet R-KIT

REVISION DATE:

NOTE: DESIGN AND DRAWINGS ARE PROPERTY OF DICKSON FURNITURE MANUFACTURERS LLC AND MAY NOT BE DUPLICATED OR REPRODUCED WITHOUT THE EXPRESS WRITTEN CONSENT OF DICKSON FURNITURE MANUFACTURERS LLC

QUANTITY
00

REV
A

DIMENSIONS
ARE IN
INCHES

DICKSON
FURNITURE MANUFACTURERS

SCALE: 1:17

SHEET 2 OF 4



IMPORTANT INFORMATION

- AHK 8170XXYY KC74SR KIT - 8170M6 - 74" Kitchen Cabinet R-KIT -



Lift parts with at least 2 people

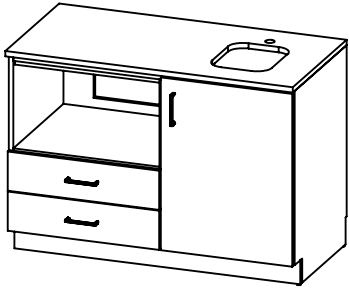
*RECOMMENDATIONS:

- Read instructions before assembling
- Keep area clean
- Do not drag the parts
- Do not forget to wear PPE

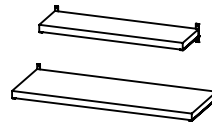
*PERSONAL PROTECTION EQUIPMENT (PPE)

- Hand Protection
- Eye Protection
- Waist Support Belt

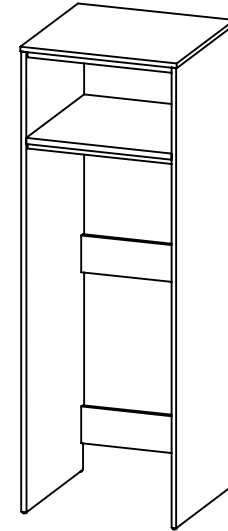
PARTS:



Combo



Shelf



Closet

*Tools:



Water level



Measuring Tape



Pencil



Drill

*Hardware:



Screw



Shims

DICKSON

FURNITURE MANUFACTURERS

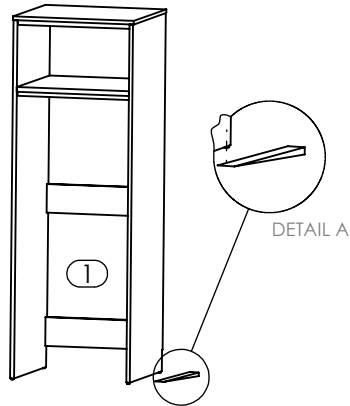
STEP #1

ASSEMBLY INSTRUCTIONS

- AHK 8170XXYY KC74SR KIT - 8170M6 - 74" Kitchen Cabinet R-KIT -

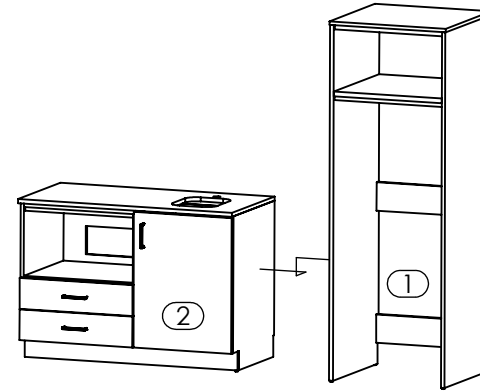
Note: Assembly can be done with 2 people.

1



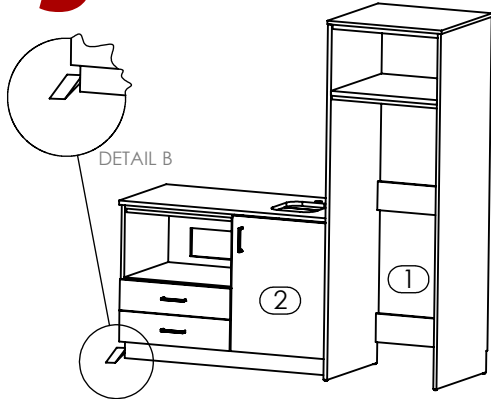
Level the Closet(1) with shims. Verify by using Water Level. (Reference Detail A).

2



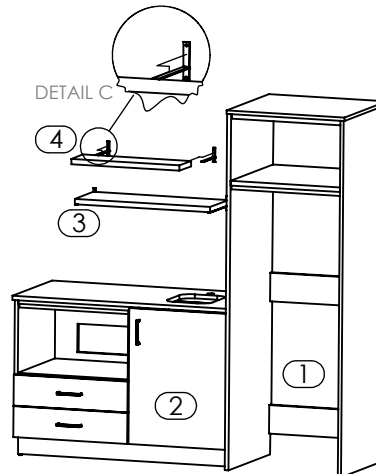
Align the combo(2) with closet(1) flush from the Back.

3



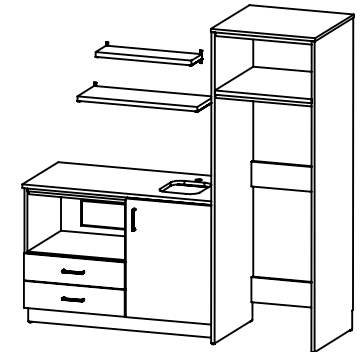
Level the Combo(2) with shims. Verify by using Water Level. (Reference Detail B).

4



Attach the Shelves (3)(4) to the Wall at the necessary height. Verify by using Water Level and Measuring Tape. (Reference Detail C).

5



Kitchen Cabinet R-KIT completely assembled.

DICKSON
FURNITURE MANUFACTURERS