

**Overall:**  
76"W x 80"D x 12"H

- MATERIALS:**
- HP-Laminate PB-3/4"
  - 2mm Edge Tape On Top
  - White Oak Molding Support
  - Bottom Plastic Nail Glide
  - Anti-Slip Tape

- COMMENTS:**
- Overall: 76"W x 80"D x 12"H
  - Color: Wilsonart - 8213K-18 - Phantom Cocoa
  - Note: Dimensional Tolerance +/- 1/16"

**TITLE:** X-202K AHB 8240XX 6BB - 8240CRS - King Bed Base  
**REVISION DATE:** 6/7/2022

NOTE: DESIGN AND DRAWINGS ARE PROPERTY OF DICKSON FURNITURE MANUFACTURERS LLC AND MAY NOT BE DUPLICATED OR REPRODUCED WITHOUT THE EXPRESS WRITTEN CONSENT OF DICKSON FURNITURE MANUFACTURERS LLC

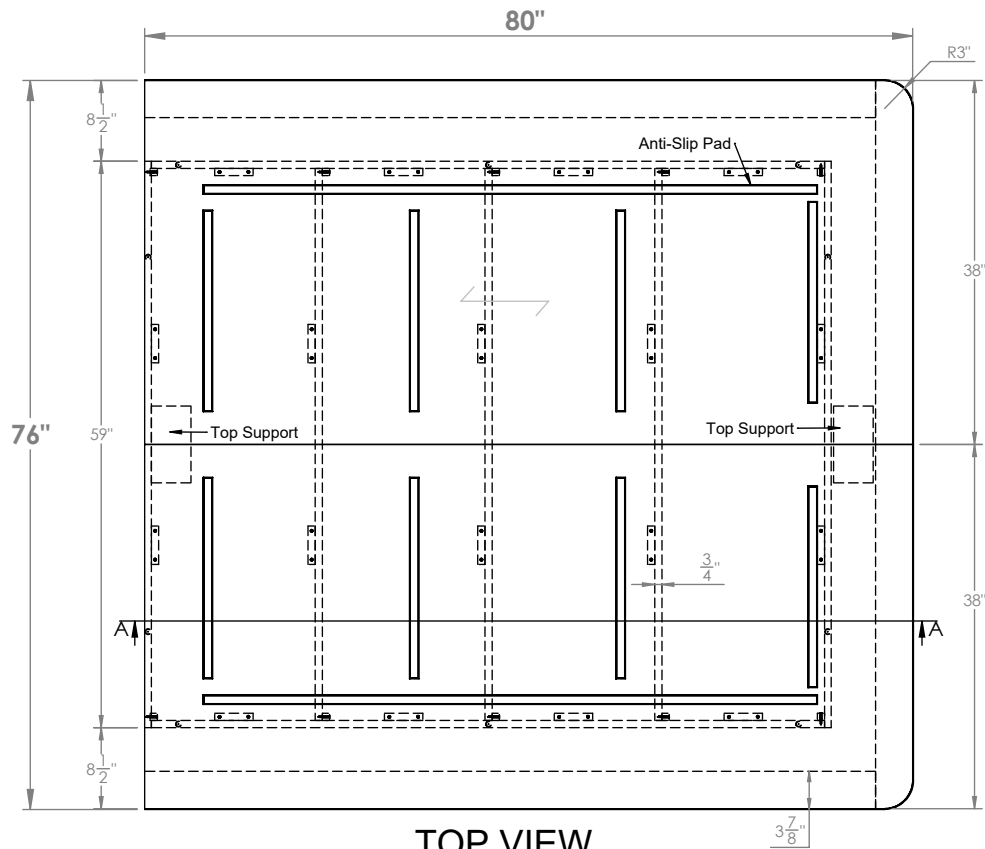
QUANTITY  
00

REV  
A

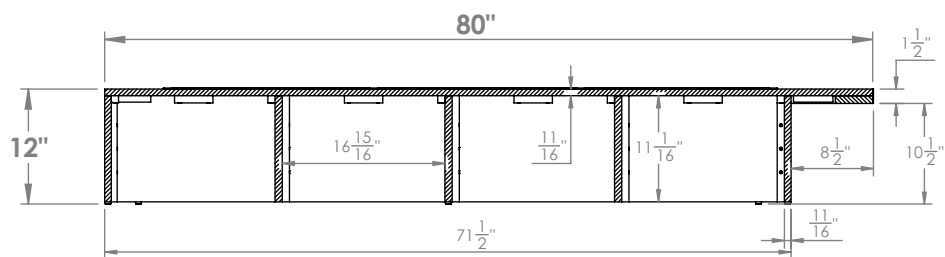
DIMENSIONS  
ARE IN  
INCHES

**DICKSON**  
FURNITURE MANUFACTURERS

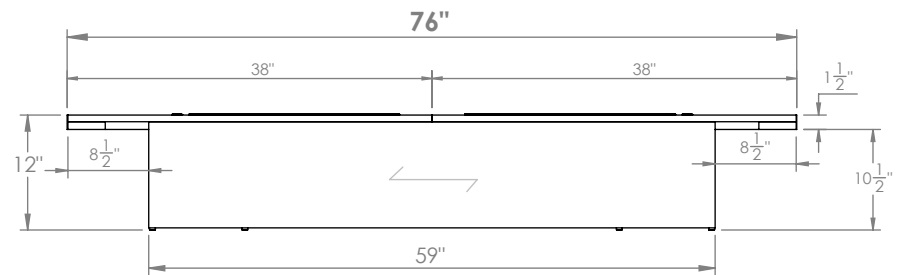
SCALE: 1:13  
SHEET 1 OF 5



TOP VIEW



SECTION A-A



FRONT VIEW

MATERIALS:  
 - HP-Laminate PB-3/4"  
 - 2mm Edge Tape On Top  
 - White Oak Molding Support  
 - Bottom Plastic Nail Glide  
 - Anti-Slip Tape

COMMENTS:  
 - Overall: 76"W x 80"D x 12"H  
 - Color: Wilsonart - 6213K-18 - Phantom Cocoa  
 - Note: Dimensional Tolerance +/- 1/16"

TITLE: X-202K AHB 8240XX 6BB - 8240CRS - King Bed Base  
 REVISION DATE: 6/7/2022

NOTE: DESIGN AND DRAWINGS ARE PROPERTY OF DICKSON FURNITURE MANUFACTURERS LLC AND MAY NOT BE DUPLICATED OR REPRODUCED WITHOUT THE EXPRESS WRITTEN CONSENT OF DICKSON FURNITURE MANUFACTURERS LLC

QUANTITY  
 00  
 REV  
 A  
 DIMENSIONS  
 ARE IN  
 INCHES

**DICKSON**  
 FURNITURE MANUFACTURERS

SCALE: 1:18  
 SHEET 2 OF 5



# IMPORTANT INFORMATION

- X-202K AHB 8240XX 6BB - 8240CRS - King Bed Base -



Lift parts with at least 2 people

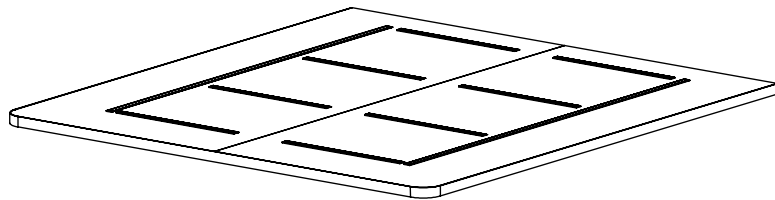
## +RECOMMENDATIONS:

- Read instructions before installing
- Keep area clean
- Do not drag the parts
- Do not forget to wear PPE

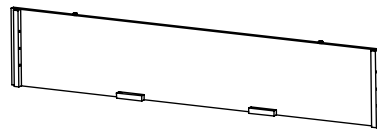
## +PERSONAL PROTECTION EQUIPMENT (PPE)

- Hand Protection
- Eye Protection
- Waist Support Belt

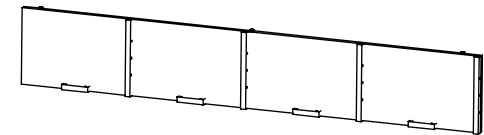
## Parts:



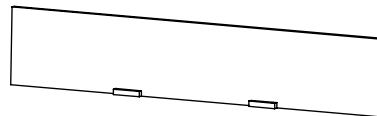
Top Panels



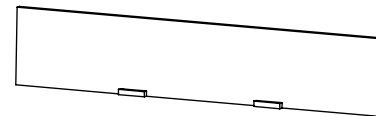
Front Panel



Side Panels (2)



Center Panels (3)



Back Panel

## +Tools:



Measuring Tape



Pencil



Electric screwdriver

## +Hardware:



Screw

# DICKSON

FURNITURE MANUFACTURERS

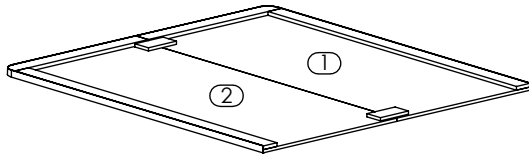
# STEP #1

# ASSEMBLY INSTRUCTIONS

- X-202K AHB 8240XX 6BB - 8240CRS - King Bed Base -

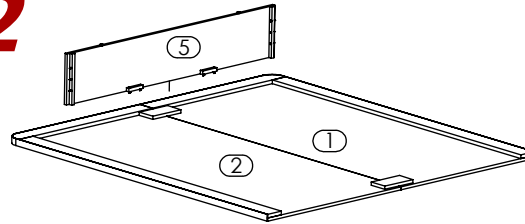
Note: For best results, bed should be built starting with the top side face down.

**1**



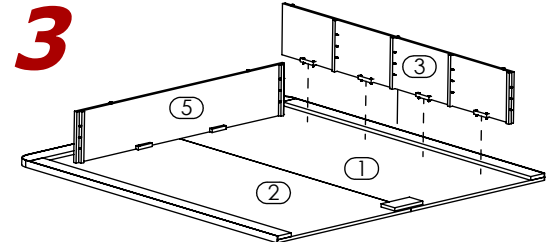
Place Top Panels ① ② upside down on Floor.

**2**



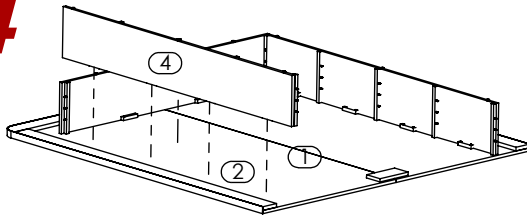
Place Front Panel ⑤ on Top Panels ① ②.

**3**



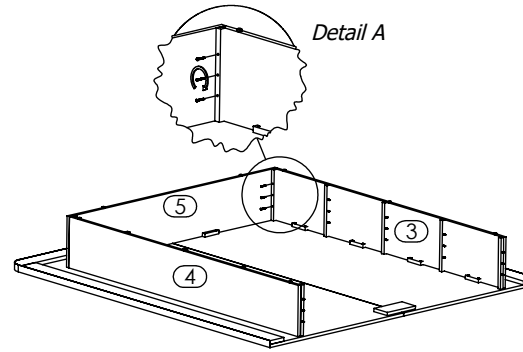
Place Side Panel Right ③ on Top Panels ① ②.

**4**



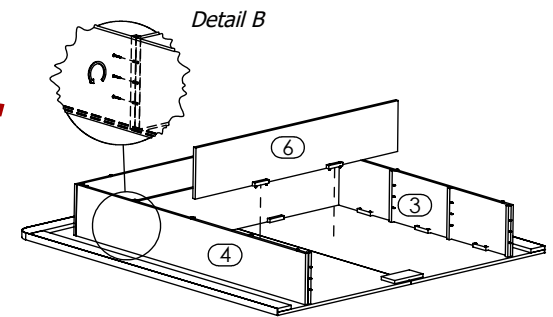
Place Side Panel Left ④ on Top Panel ① ②.

**5**



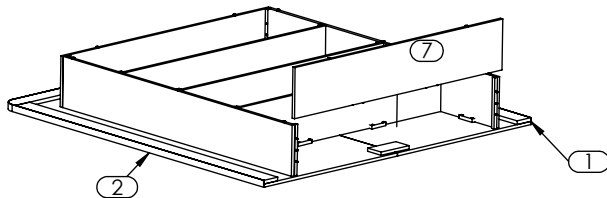
Align and attach Front Panel ⑤ to Side Panel Right ③ then Panel Left ④. (Reference Detail A).

**6**



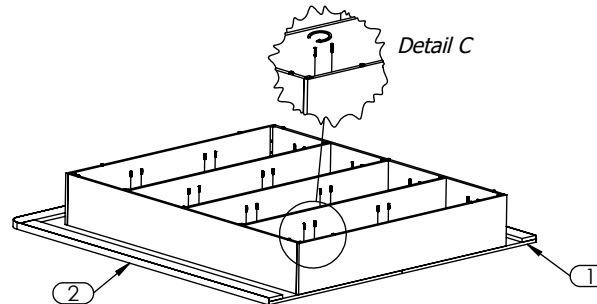
Insert Center Panels ⑥, align & attach to Side Panels ③ ④. (Reference Detail B).

**7**



Align Flush the Back Face of Back Panel ⑦ and Top Panels ① ②.

**8**



Align assembled Bed Base to taped guides on Top Panel ① and attach them. (Reference Detail C).

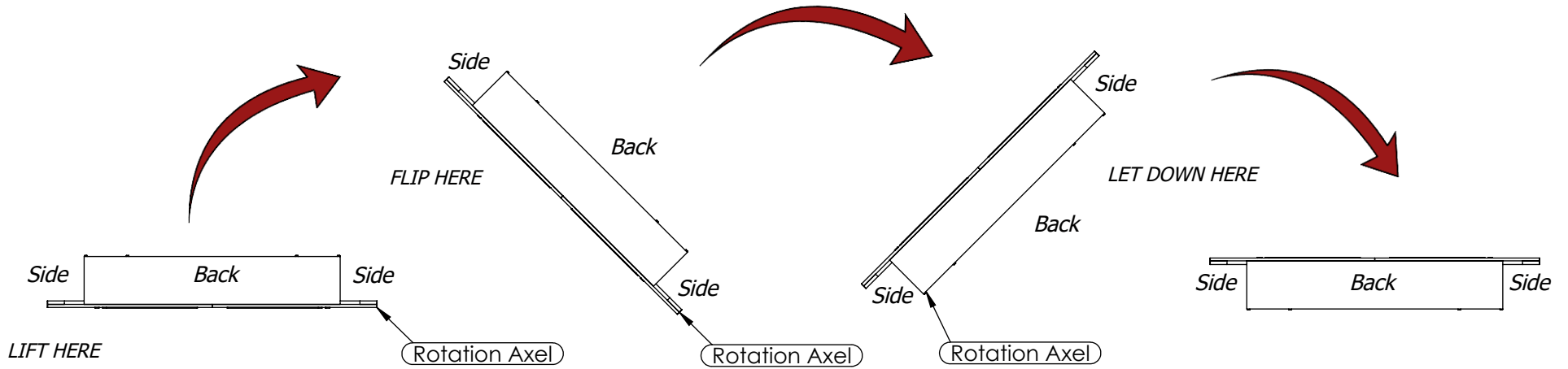
**DICKSON**  
FURNITURE MANUFACTURERS

# STEP #2

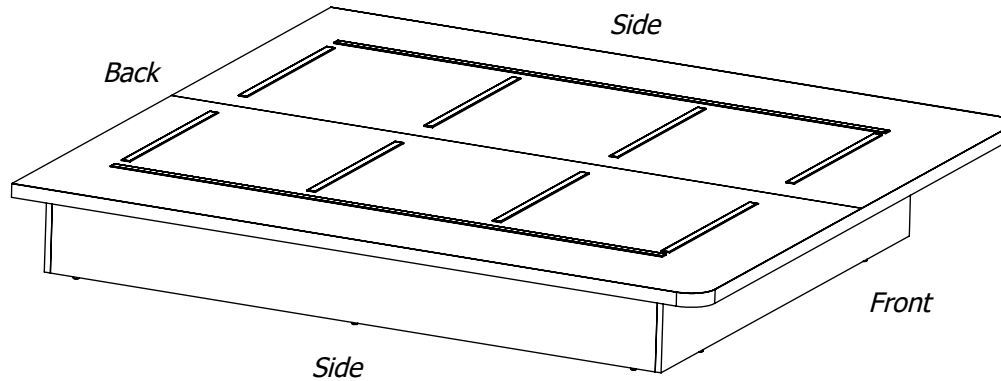
# ASSEMBLY INSTRUCTIONS

- X-202K AHB 8240XX 6BB - 8240CRS - King Bed Base -

Note: To flip this bed, please use at least 2 people.



**Flip Upright**



**DICKSON**  
FURNITURE MANUFACTURERS