

Overall:
122"W x 5"D x 27 1/2"H

MATERIALS:

- HP-Laminate PB-5/8"
- 0.018 Edge Tape
- Plywood 1/2" Wall Cleat
- Frosted Acrylic Cover
- LED Strip 2700K-3000K
- 2/AC - 2/USB - W/Switch Plug On Left Panel
- 2/AC - 2/USB - Plug On Right Panel

COMMENTS:

- Overall: 122"W x 5"D x 27 1/2"H
- Color: Wilsonart - D504-60 - Fossil Shale
Headboard Fabric - Per Scheme
- Note: Dimensional Tolerance +/- 1/16"

TITLE: X-216 AHB 8240XX 28UHL622 - 8250CRS - Uph King HB W-Lgs + 22W End Pnl

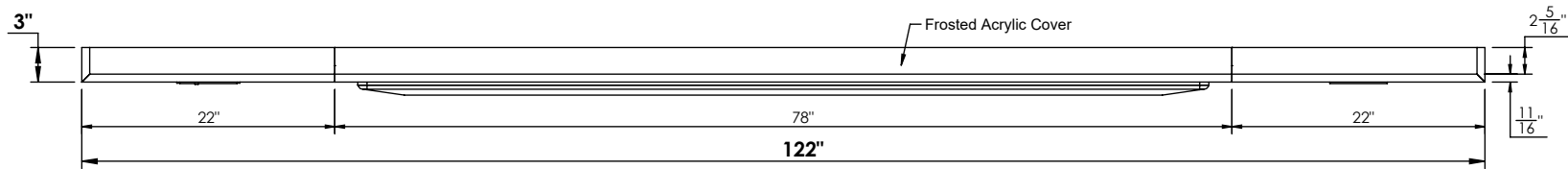
REVISION DATE:

NOTE: DESIGN AND DRAWINGS ARE PROPERTY OF DICKSON FURNITURE MANUFACTURERS LLC AND MAY NOT BE DUPLICATED OR REPRODUCED WITHOUT THE EXPRESS WRITTEN CONSENT OF DICKSON FURNITURE MANUFACTURERS LLC

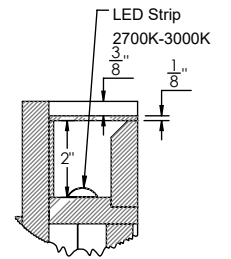
REV
A
DIMENSIONS
ARE IN
INCHES

DICKSON
FURNITURE MANUFACTURERS

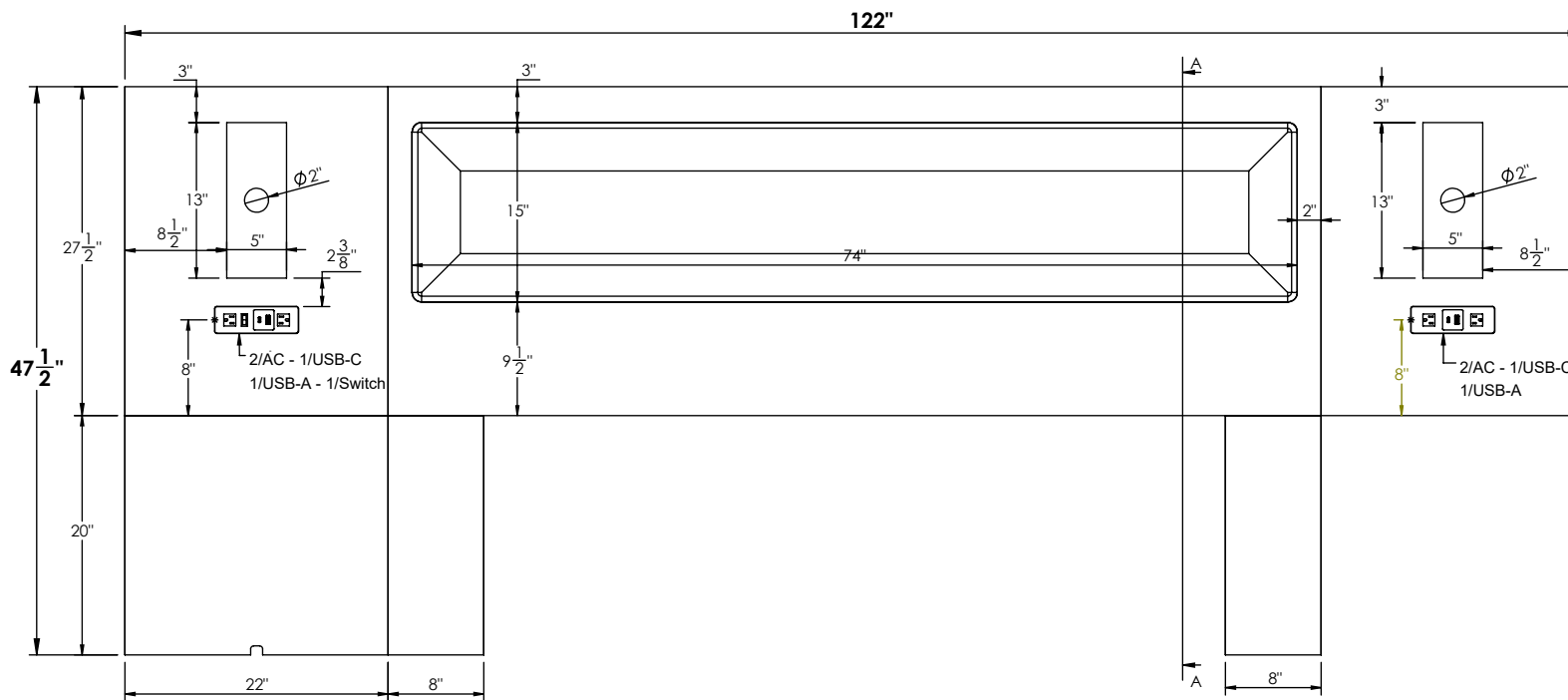
SCALE: 1:13
SHEET 1 OF 4



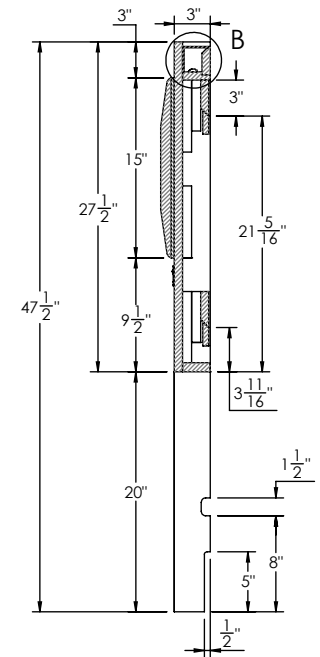
TOP VIEW



**DETAIL B
SCALE 1 : 5**



FRONT VIEW



SECTION A-A

MATERIALS:

- HP-Laminate PB-5/8"
- 0.018 Edge Tape
- Plywood 1/2" Wall Cleat
- Frosted Acrylic Cover
- LED Strip 2700K-3000K
- 2/AC - 2/USB - W/Switch Plug On Left Panel
- 2/AC - 2/USB - Plug On Right Panel

COMMENTS:

- Overall: 122"W x 5"D x 27 1/2"H
- Color: Wilsonart - D504-60 - Fossil Shale
- Headboard Fabric - Per Scheme
- Note: Dimensional Tolerance +/- 1/16"

TITLE: X-216 AHB 8240XX 28UHL622 - 8250CRS - Uph King HB W-Lgs + 22W End Pnl

REVISION DATE:

NOTE: DESIGN AND DRAWINGS ARE PROPERTY OF DICKSON FURNITURE MANUFACTURERS LLC AND MAY NOT BE DUPLICATED OR REPRODUCED WITHOUT THE EXPRESS WRITTEN CONSENT OF DICKSON FURNITURE MANUFACTURERS LLC

REV
A
DIMENSIONS
ARE IN
INCHES

DICKSON
FURNITURE MANUFACTURERS

SCALE: 1:16
SHEET 2 OF 4



IMPORTANT INFORMATION

- X-216 AHB 8240XX 28UHL622 - 8250CRS - Uph King HB W-Lgs + 22W End Pnl -



Lift parts with at least 2 people

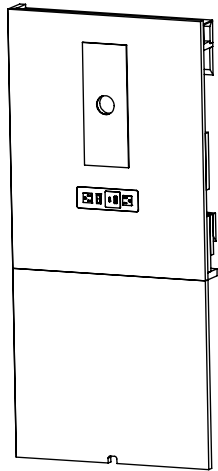
*RECOMMENDATIONS:

- Read instructions before assembling
- Keep area clean
- Do not drag the parts
- Do not forget to wear PPE

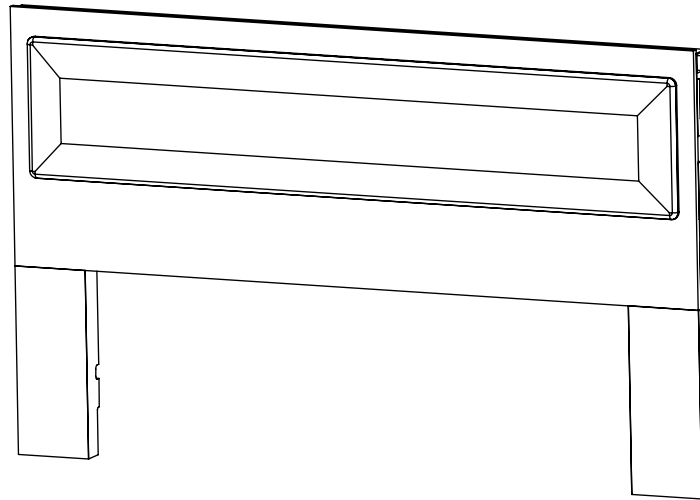
*PERSONAL PROTECTION EQUIPMENT (PPE)

- Hand Protection
- Eye Protection
- Waist Support belt

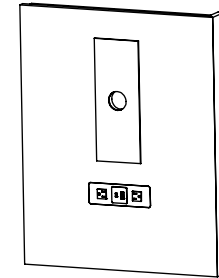
PARTS:



Left Panel



Headboard



Right Panel

*Tools:



Water level



Measuring Tape



Pencil



Drill

*Hardware:



Screw

DICKSON

FURNITURE MANUFACTURERS

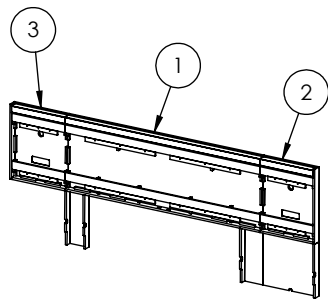
STEP #1

INSTALLATION INSTRUCTIONS

- X-216 AHB 8240XX 28UHL622 - 8250CRS - Uph King HB W-Lgs + 22W End Pnl -

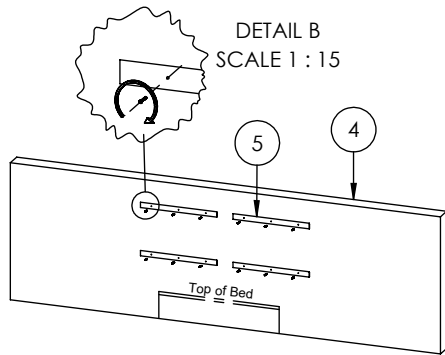
Note: Assembly can be done with 2 people.

1



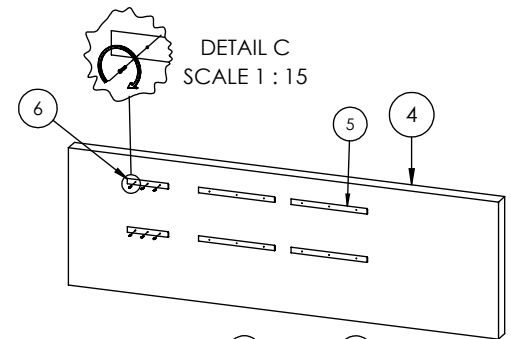
Unroll the power plug wires from the back on the nightstands (2) (3) and pass through the headboard (1).

2



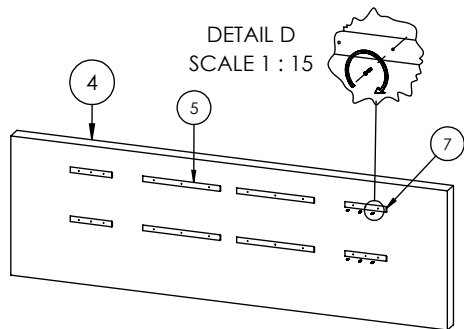
Center platform bed on Headboard wall and mount Center Wall Cleats (5) on Wall (4) at the center of the Bed Platform. Screws go into studs.

3



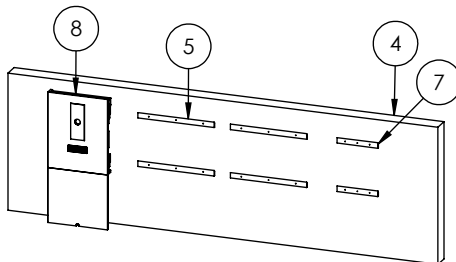
Mount Left French Wall Cleats (6) on Wall (4) on the left side of Center French Wall Cleats (5). Screws go into studs.

4



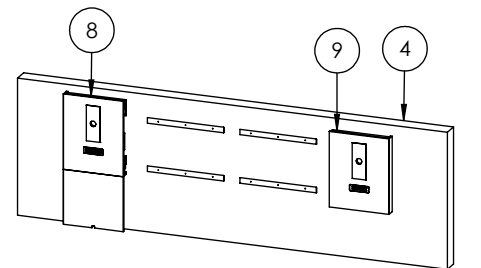
Mount Right French Wall Cleats (7) on Wall (4) on the right side of Center French Wall Cleats (5). Screws go into studs.

5



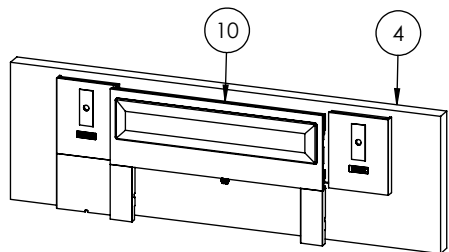
Lift Left Panel (8) higher than Center French Wall Cleats (6) and slowly slide it down until it holds on Wall (4).

6



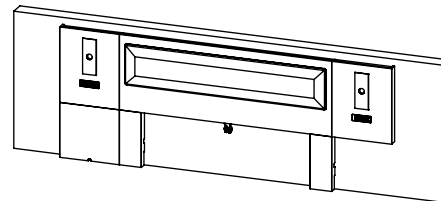
Lift Right Panel (9) higher than Center French Wall Cleats (6) and slowly slide it down until it holds on Wall (4).

7



Lift Headboard (10) higher than Center French Wall Cleats (6) and slowly slide it down until it holds on Wall (4). Power Cords should be routed through opening at bottom of Headboard.

8



Completely assembled.

Note: Led lights and no power strip provided, customer need to supply. Upholster panel is options include instruction accordingly.

DICKSON
FURNITURE MANUFACTURERS