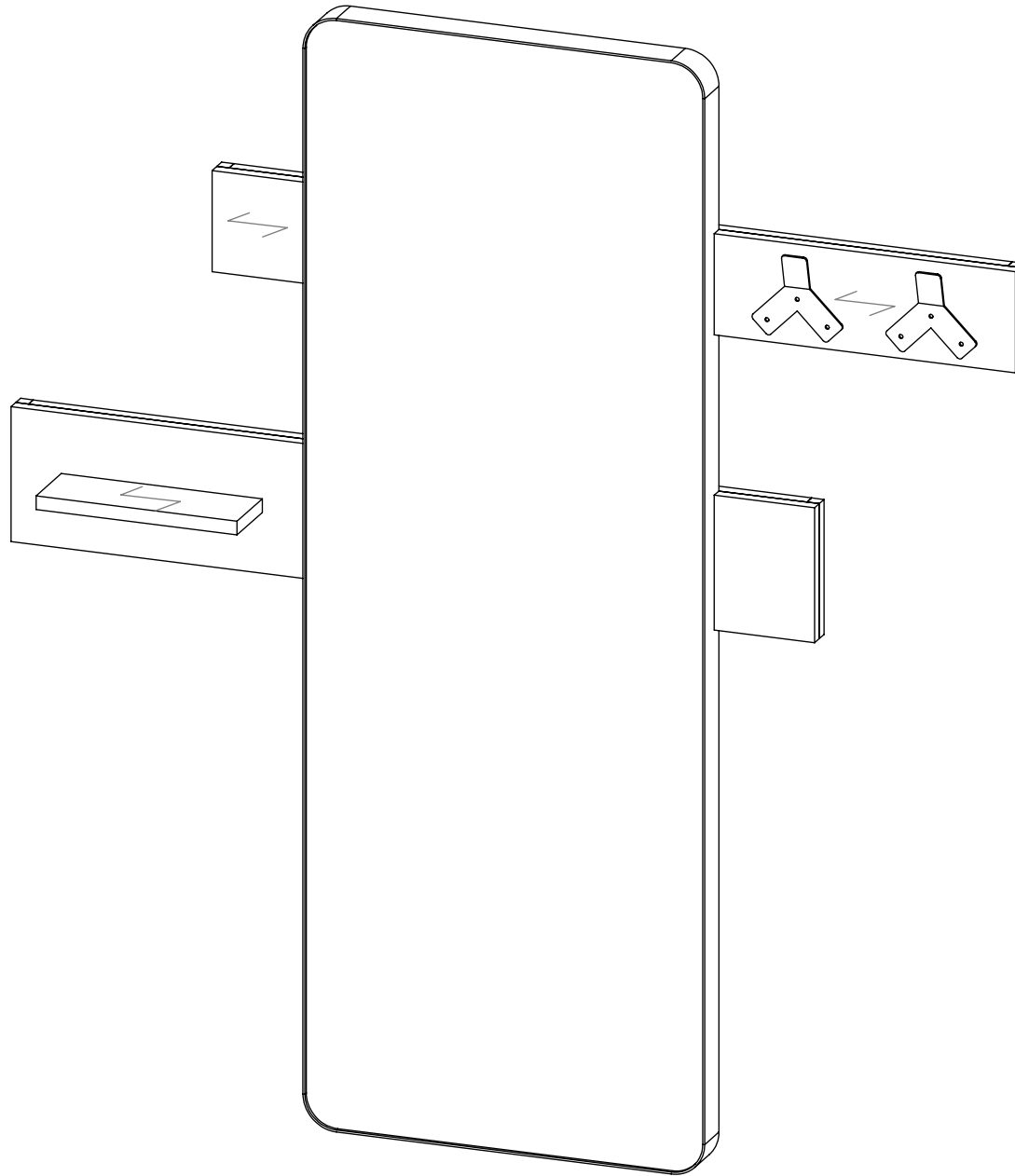


X-254



Overall:
60"W x 5 1/2"D x 66"H

MATERIALS:

- HP-Laminate PB-1 1/2 Build-Up*
- Metal Hook (Matte Black)
- 5 mm Safety Glass
-
-
-
-

COMMENTS:

- Overall: 60"W x 5 1/2"D x 66"H
- Color: Wilsonart - 8213K-18 - Phantom Cocoa
Accent City Scheme - Indigo D379-60
Accent Sea Scheme - Charcoal 10592-38
Accent Sun Scheme - Dove Grey D92-60
Powder Coat - Tiger Dry-Lac 38/15018
- Note: Dimensional Tolerance +/- 1/16"

TITLE: X-254-RENO AHB 8240XX GSSL - 8240CRS - Go Station Shelf-Left

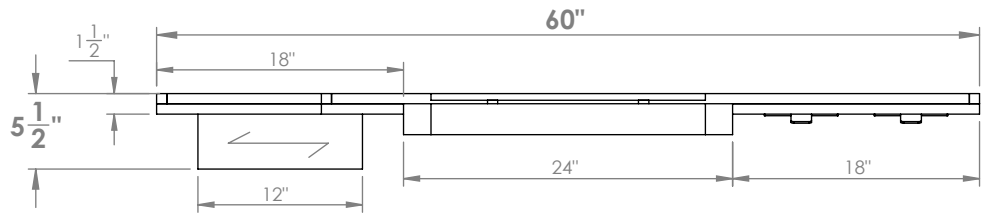
REVISION DATE:

NOTE: DESIGN AND DRAWINGS ARE PROPERTY OF DICKSON FURNITURE MANUFACTURERS LLC AND MAY NOT BE DUPLICATED OR REPRODUCED WITHOUT THE EXPRESS WRITTEN CONSENT OF DICKSON FURNITURE MANUFACTURERS LLC

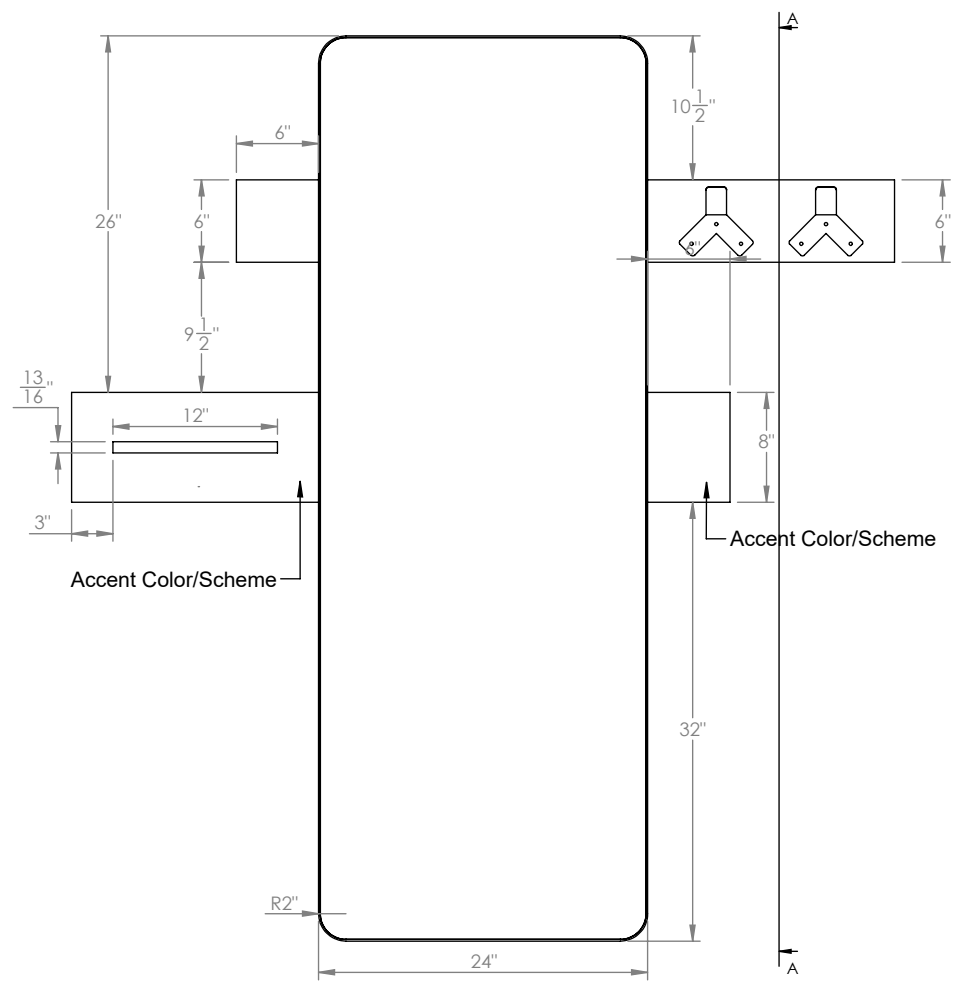
REV
A
DIMENSIONS
ARE IN
INCHES

DICKSON
FURNITURE MANUFACTURERS

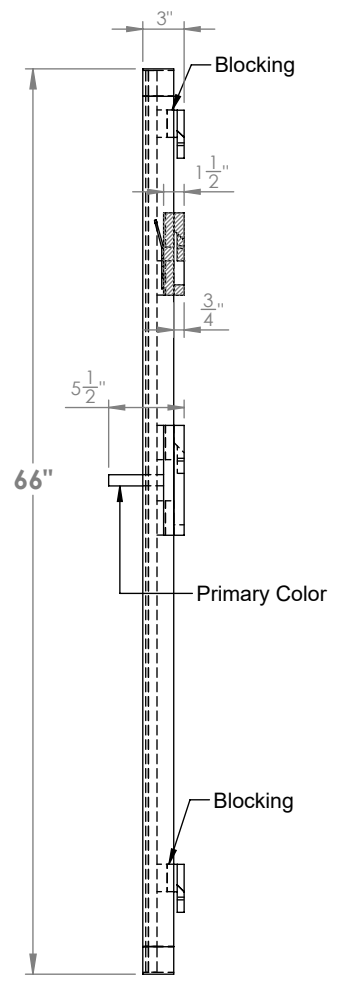
SCALE: 1:10
SHEET 1 OF 4



PLAN VIEW



FRONT VIEW



SECTION A-A

MATERIALS:
 - HP-Laminate PB-1 1/2 Build-Up*
 - Metal Hook (Matte Black)
 - 5 mm Safety Glass
 -
 -
 -

COMMENTS:
 - Overall: 60"W x 5 1/2"D x 66"H
 - Color: Wilsonart - 8213K-18 - Phantom Cocoa
 Accent City Scheme - Indigo D379-60
 Accent Sea Scheme - Charcoal 10592-38
 Accent Sun Scheme - Dove Grey D92-60
 Powder Coat - Tiger Dry-Lac 38/15018
 - Note: Dimensional Tolerance +/- 1/16"

TITLE: X-254-RENO AHB 8240XX GSSL - 8240CRS - Go Station Shelf-Left
REVISION DATE:
 NOTE: DESIGN AND DRAWINGS ARE PROPERTY OF DICKSON FURNITURE MANUFACTURERS LLC AND MAY NOT BE DUPLICATED OR REPRODUCED WITHOUT THE EXPRESS WRITTEN CONSENT OF DICKSON FURNITURE MANUFACTURERS LLC

REV A	DICKSON FURNITURE MANUFACTURERS
	SCALE: 1:14 SHEET 2 OF 4

DIMENSIONS ARE IN INCHES



IMPORTANT INFORMATION

- X-254-RENO AHB 8240XX GSSL - 8240CRS - Go Station Shelf-Left -



Lift parts with at least 2 people

*RECOMMENDATIONS:

- Read instructions before assembling
- Keep area clean
- Do not drag the parts
- Do not forget to wear PPE

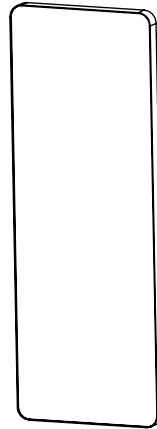
*PERSONAL PROTECTION EQUIPMENT (PPE)

- Hand Protection
- Eye Protection
- Waist Support belt

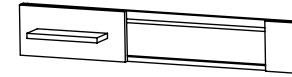
PARTS:



Upper Shelf



Headboard



Lower Shelf

*Tools:



Water level



Measuring Tape



Pencil



Drill

*Hardware:



Screw

DICKSON

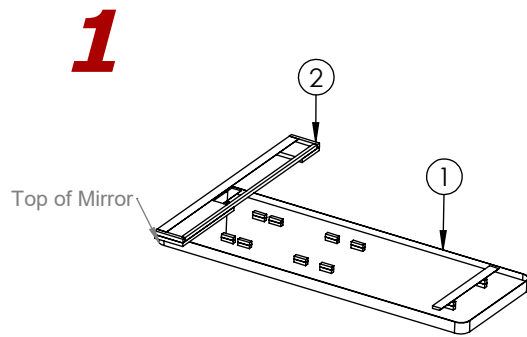
FURNITURE MANUFACTURERS

STEP #1

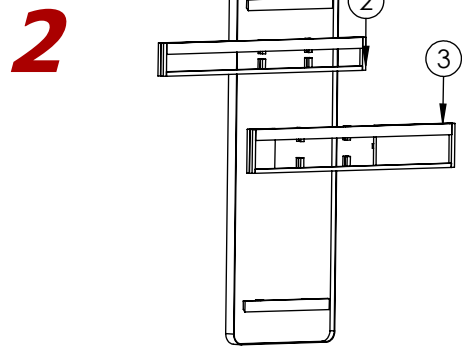
INSTALLATION INSTRUCTIONS

- X-254-RENO AHB 8240XX GSSL - 8240CRS - Go Station Shelf-Left -

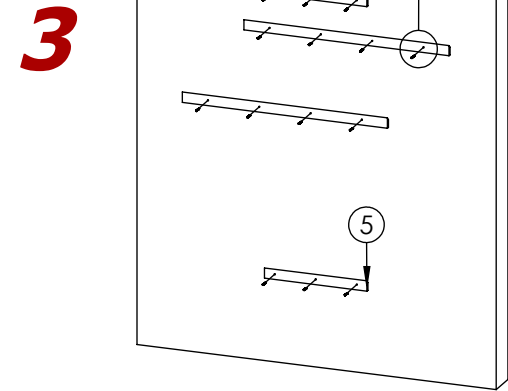
Note: Side Shelves to be install at site.



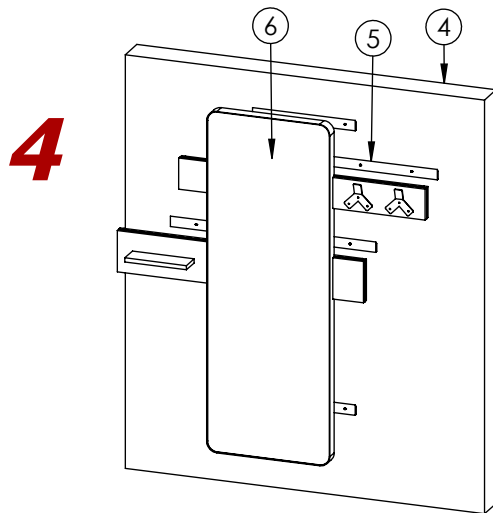
Place the Mirror ① on the floor and attach Upper Shelf ② as shown on the drawing, at a distance of 10.5" from the top of the Mirror.



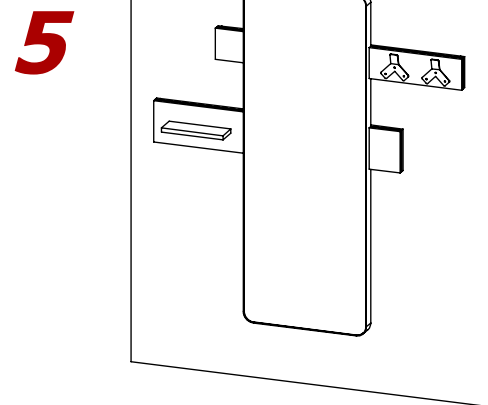
Place the Mirror ① upright and attach Lower Shelf ③ as shown on the drawing, at a distance of 26" from the top of the Mirror.



Mount French Wall Cleats ⑤ on Wall ④ as shown. Screws go into studs.



Lift Go Station Shelf ⑥ higher than Center French Wall Cleats ⑤ and slowly slide it down until it holds on Wall ④.



Go Station Shelf Completely assembled.